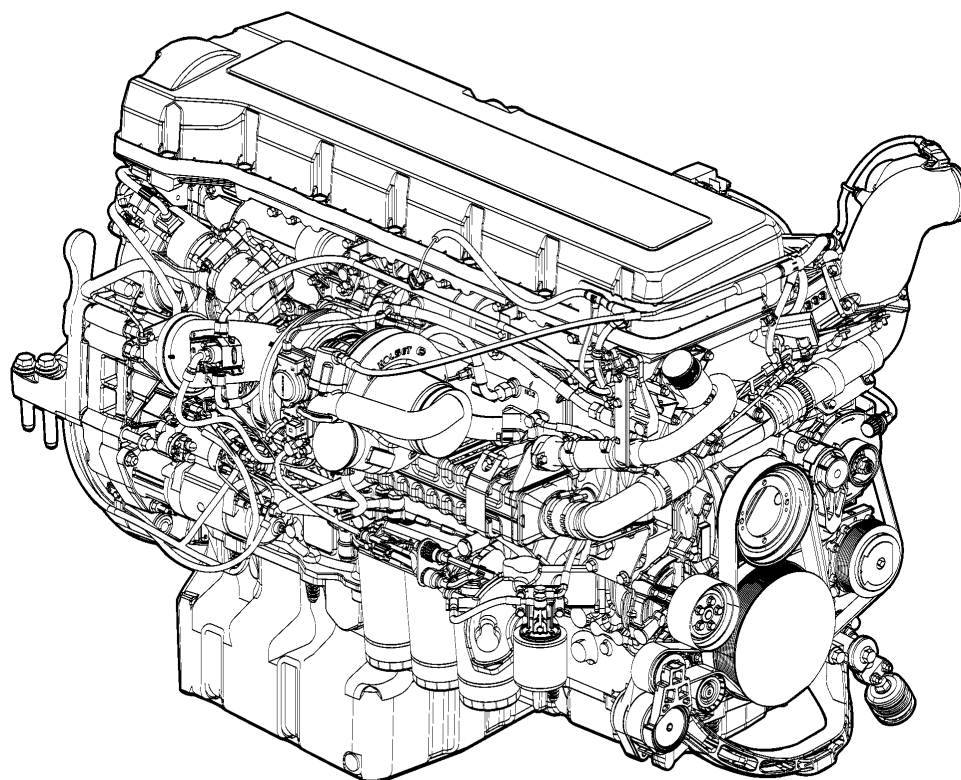


| Date | Group | No. | Page |
|--------|-------|-----|------|
| 3.2007 | 222 | 120 | 1(3) |

Oil Filter Replacement D16F

Oil Filter Replacement



W2005772

This information covers replacing the oil filter on the Volvo D16F engine.

Contents

- "Oil Filter, Replacement" page 2

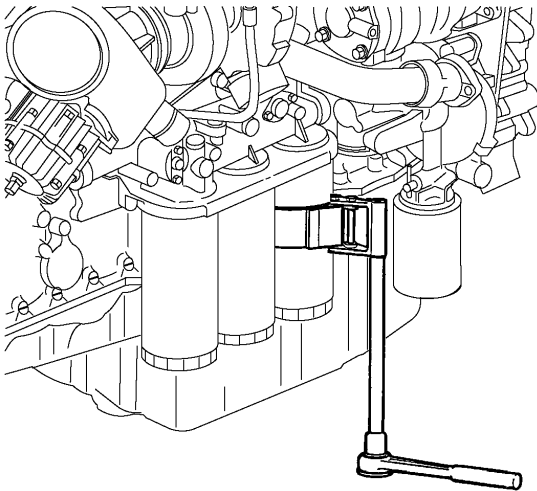
Note: Information is subject to change without notice. Illustrations are used for reference only and may differ slightly from the actual vehicle being serviced. However, key components addressed in this information are represented as accurately as possible.

2223-03-02-02 **Oil Filter, Replacement**

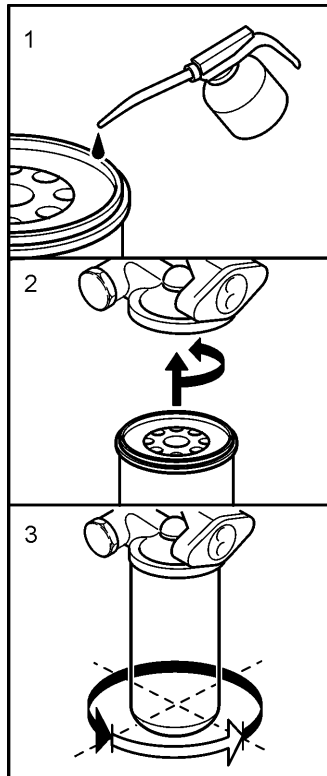
Incl. bypass filter

You must read and understand the precautions and guidelines in Service Information, group 20, "General Safety Practices, Engine" before performing this procedure. If you are not properly trained and certified in this procedure, ask your supervisor for training before you perform it.

- 1**
Apply the parking brake and place the shift lever in neutral.
- 2**
Clean around the oil filter housing where the filters are attached.
- 3**
Remove the filters using an oil filter wrench.



W2005876



C2002835

4

Lubricate the filter gaskets with clean engine oil (1).

Hand-tighten the filters until they contact the face of the oil filter housing (2).

Manually tighten the filters an additional 3/4 to 1 full turn (3).

3/4 to 1 turn

5

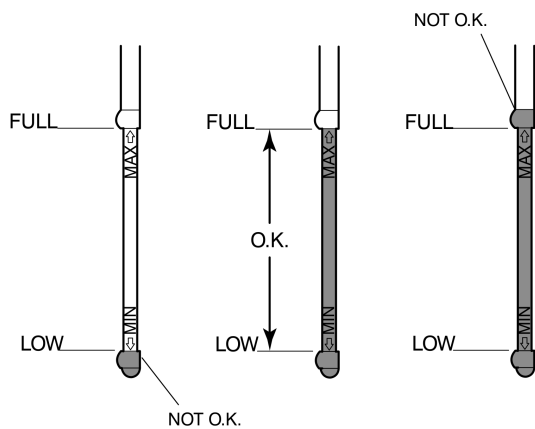
Crank the engine until oil pressure is recorded by the pressure gauge on the instrument panel.

6

Start the engine and check for leaks around the oil filter contact area.

7

Check the oil level. If necessary, add approved engine oil to the specified level. Do not overfill.



W2005587