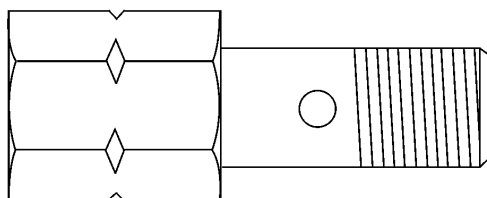


Overflow Valve
Replacement
D16F

Fuel Overflow Valve Replacement



W2005120

This information covers replacing the fuel overflow valve on the Volvo D16F engine.

Contents

- "Overflow Valve, Replacement" page 2

Note: Information is subject to change without notice.
Illustrations are used for reference only and may differ slightly from the actual vehicle being serviced. However, key components addressed in this information are represented as accurately as possible.

2339-03-02-02 Overflow Valve, Replacement

You must read and understand the precautions and guidelines in Service Information, group 20, "General Safety Practices, Engine" before performing this procedure. If you are not properly trained and certified in this procedure, ask your supervisor for training before you perform it.

Note: Replace the overflow valve if a check shows that its opening pressure is below specification. To check the overflow valve, refer to Service Information, group 23.

Removal

Note: The ignition key must be in the OFF position. Use an approved container to catch fuel from the fuel lines as they are disconnected.

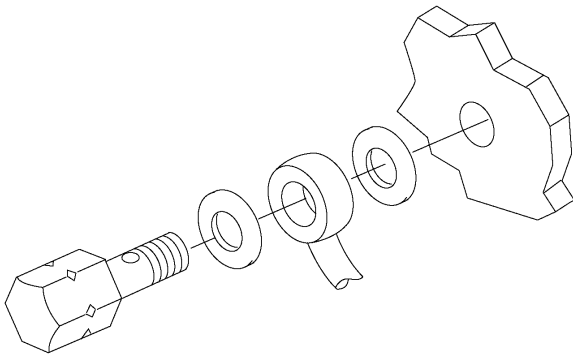
1

Apply the parking brake and place the shift lever in neutral.

2

Remove the overflow valve, two gaskets and the fuel line.

Note: The overflow valve is located on the front of the cylinder head on all Volvo engines.

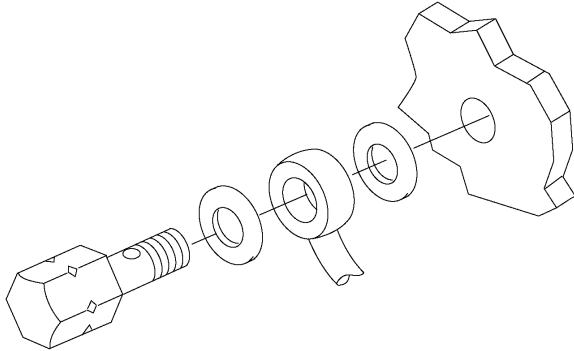


Installation

1

Install the fuel line, new overflow valve and two new gaskets to the cylinder head. Tighten the overflow valve to 48 ± 5 Nm (35 ± 4 ft-lb).

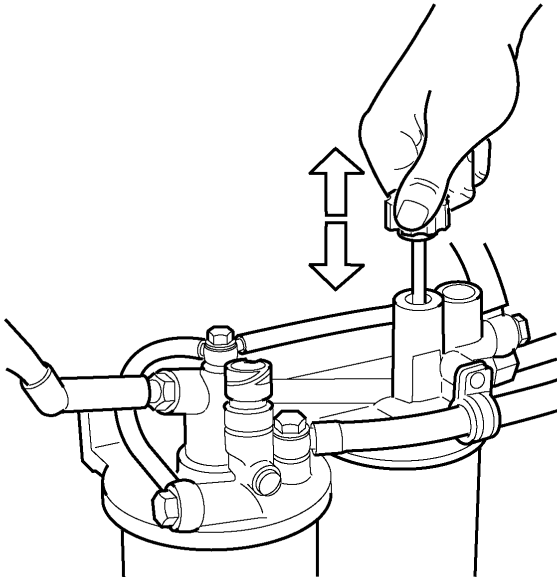
48 ± 5 Nm
(35 ± 4 ft-lb)



W2006147

2

Prime the fuel system by pumping with the hand pump until resistance is felt.



W2005864

3

Start the engine. Check for any fuel leaks and correct if necessary.