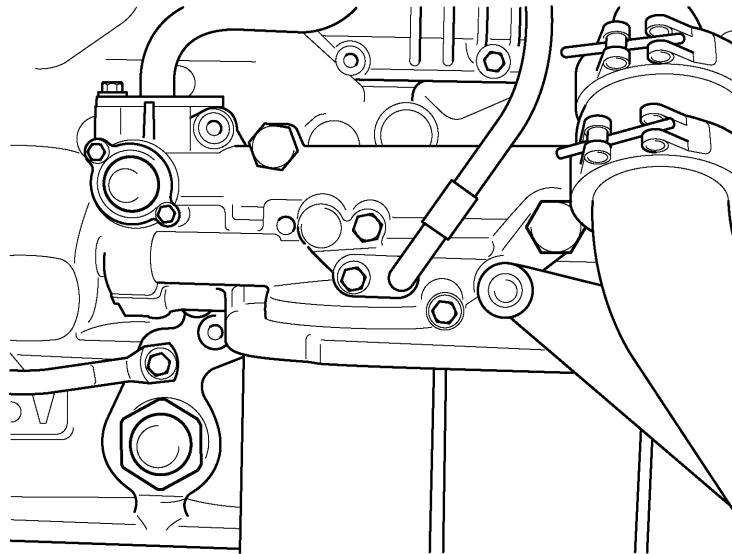


This Service Bulletin replaces SB 223-124, "Oil Valves Replacement," (1.2007), publication no. PV776-20178101.

Date	Group	No.	Page
9.2007	223	17	1(3)

Thermostat Valve or Oil Pressure Valve Oil Cooler Replacement D13F

Thermostat Valve or Oil Pressure Valve Oil Cooler, Replacement



W2006106

Contents

- "Thermostat Valve Or Pressure Valve Oil Cooler, Replacement" page 2

Service Procedures

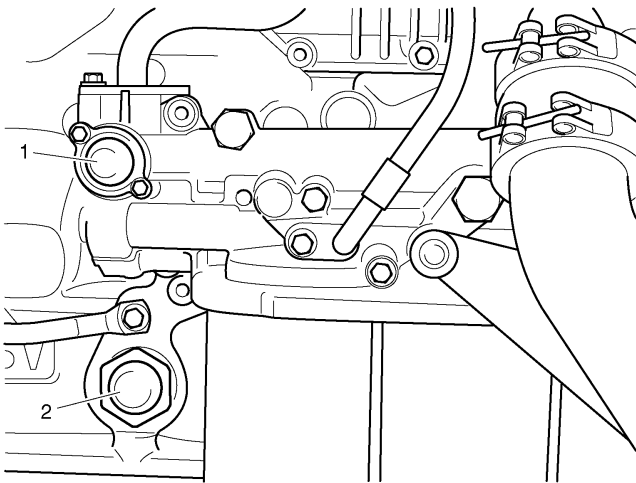
2229-03-02-07

Thermostat Valve Or Pressure Valve Oil Cooler, Replacement

1
Apply the parking brakes and place the shift lever in neutral.

2
Thoroughly clean the oil filter housing.

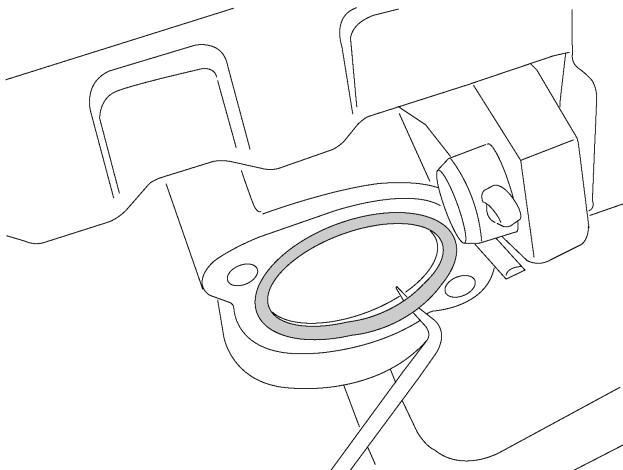
3
Remove the thermostat valve (1) from the oil filter housing.



W2006102

- 1. Thermostat Valve
- 2. Safety Valve

4
Replace thermostat valve O-ring in the oil filter housing.



W2006105

5

Install a new thermostat valve with a new gasket. Tighten to specification.

6

Start the engine and check for leaks.