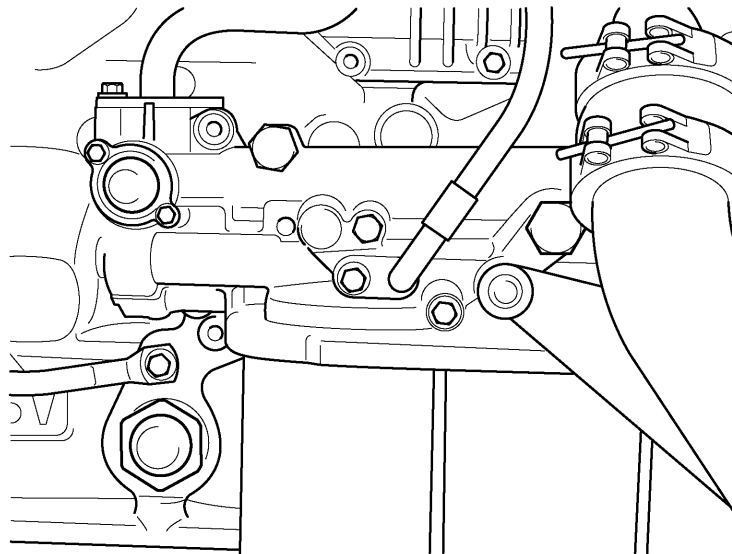


This Service Bulletin replaces SB 223-124, "Oil Valves Replacement" (1.2007), publication no. PV776-20178101.

Date	Group	No.	Page
9.2007	223	18	1(4)

Safety Valve Oil Pressure Replacement D13F

Safety Valve Oil Pressure, Replacement



W2006106

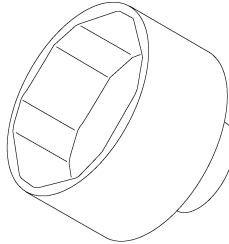
Contents

- "Special Tools" page 2
- "Safety Valve Oil Pressure, Replacement" page 3

Tools

Special Tools

For special tools ordering information, refer to Tool Information, group 08.



W2006176

J43051

Oil Valve Socket

Service Procedures

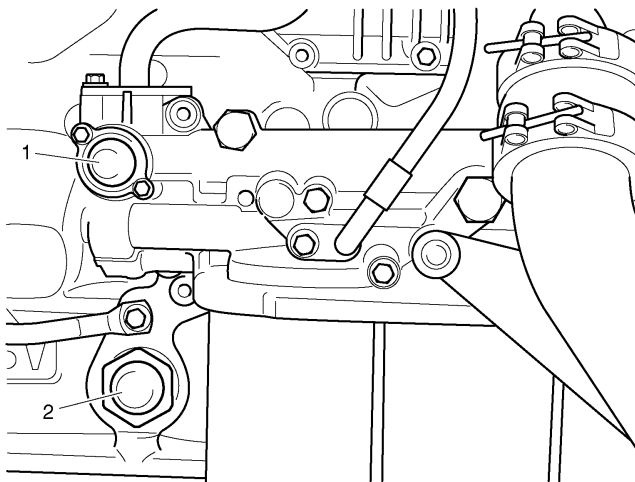
2239-03-02-01

Safety Valve Oil Pressure, Replacement

Special tools: J43051

1
Apply the parking brakes and place the shift lever in neutral.

2
Thoroughly clean around the safety valve cover (2).



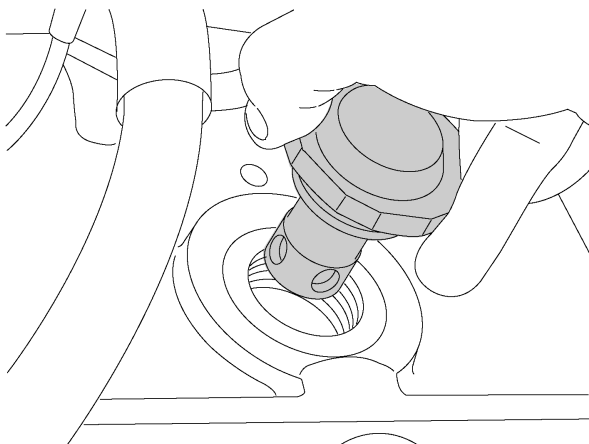
W2006102

- 1. Thermostat Valve
- 2. Safety Valve

3
Remove the cover and safety valve together as an assembly.

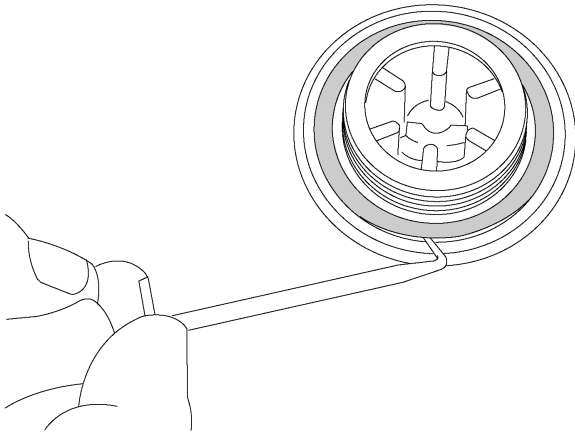
Note: Make sure that the safety valve seal is not left inside the cylinder block.

J43051



W2006177

- 4**
Clean the cover and engine block sealing surface.
Replace the O-ring on the safety valve cover.

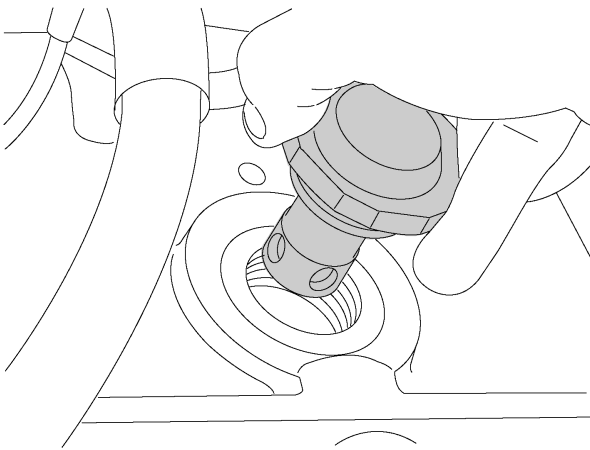


W2006104

- 5**
Install a new safety valve in the cover.

- 6**
Install the safety valve and cover into the cylinder block.
Tighten to specification.

J43051



W2006177

- 7**
Start the engine and check for leaks.