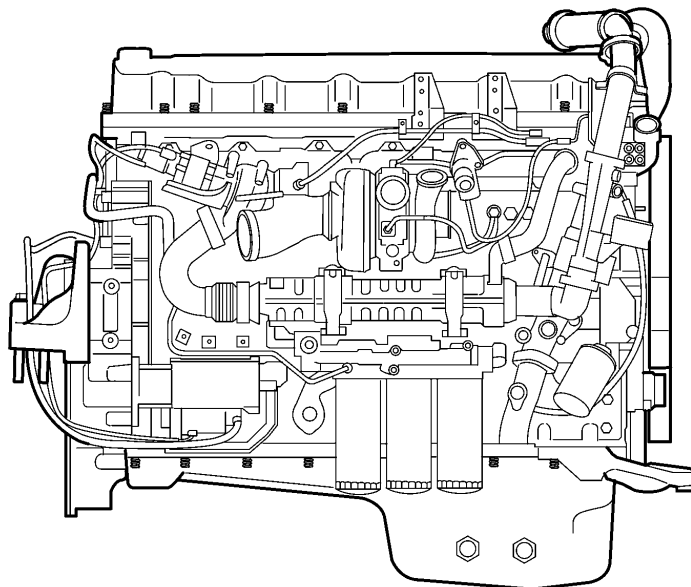


Date	Group	No.	Page
11.2006	260	39	1(2)

Fan Literature
D13F

Fan Literature



W2005779

This bulletin provides information on fan literature regarding a vehicle with the Volvo D13F engine.

Contents

- "Fan Literature" page 2

Note: Information is subject to change without notice.
Illustrations are used for reference only and can differ slightly from the actual vehicle being serviced. However, key components addressed in this information are represented as accurately as possible.

General

Fan Literature

Kysor

Copies of service literature for Kysor components can now be accessed directly from the official internet site of the Quik-Cool Corporation.

To review and download Kysor service literature, please visit:

<http://www.quikkool.com/serviceinfo.html>

Bendix

Copies of service literature for Bendix components can now be accessed directly from the official internet site of the Bendix Corporation.

To review and download Bendix service literature, please visit:

<http://www.bendix.com/products/FanClutches.shtml>