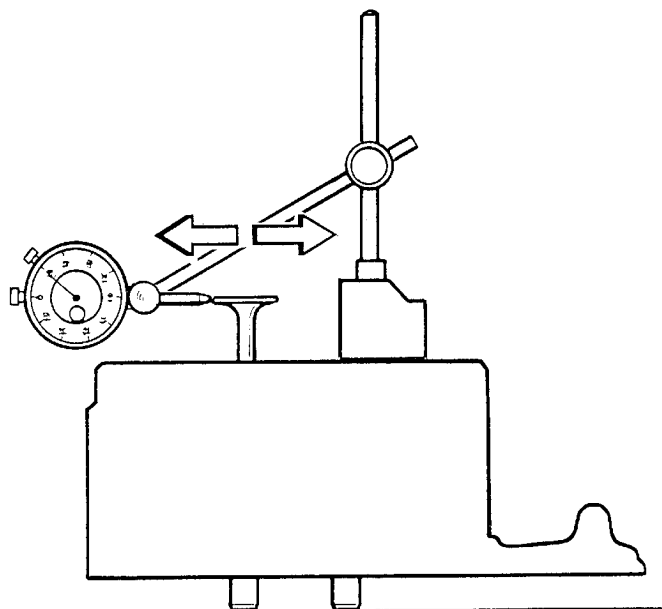


This Service Bulletin replaces SB 214-56, "Valve Guide Wear, Check" dated 3.2007, publication no. PV776-20179736.

Date	Group	No.	Page
11.2007	214	56	1(4)

Valve Guide Wear, Check
D11F, D13F, D16F

Valve Guide Wear, Check



C2000483

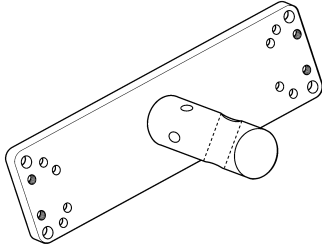
Contents

- "Valve Guide Wear, Checking" page 3

Note: Information is subject to change without notice. Illustrations are used for reference only and may differ slightly from the actual vehicle being serviced. However, key components addressed in this information are represented as accurately as possible.

For information on ordering special tools and other special equipment, see tool information Group 08.

Special tools

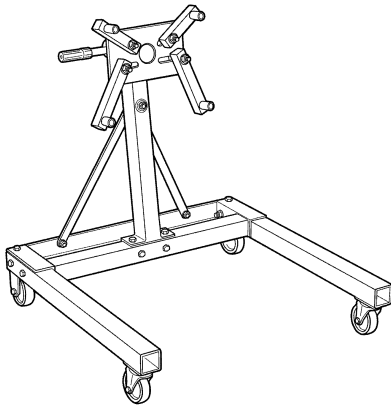


W0002293

J47364

Cylinder head adapter plate

Other special equipment



W0002294

2012

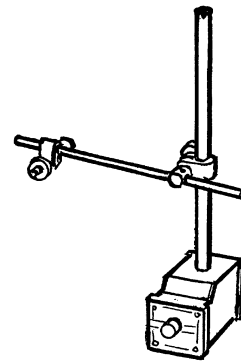
Stand



C0000786

9989876

Dial indicator



C0000823

9999696

Magnetic holder

2143-06-05-01 Valve Guide Wear, Checking

You must read and understand the precautions and guidelines in Service Information, group 20, "General Safety Practices, Engine" before performing this procedure. If you are not properly trained and certified in this procedure, ask your supervisor for training before you perform it.

Special tools: 2012

Other special equipment: J47364, 9989876, 9999696

1

Remove the oil seals from the valve guides.

2

Mount the cylinder head in the engine stand 2012 using fixture J47364.

Turn the cylinder head so that valves are facing upwards.

2012, J47364

3

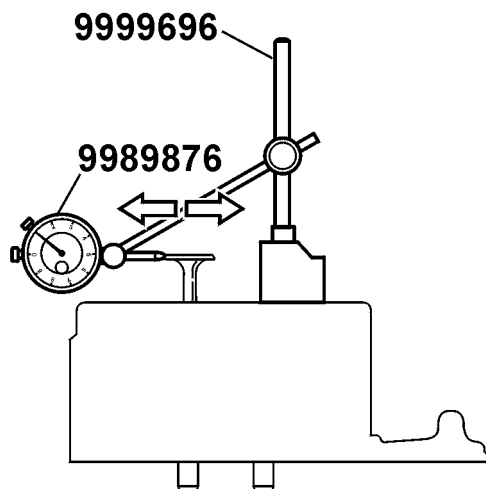
Install a new valve in the guide so that the end of the valve stem is even with the valve guide edge.

4

Use dial indicator 9989876 with magnetic holder 9999696. Place the tip of the dial indicator against the edge of the valve disc.

Slide the valve to and fro in the direction of the intake port. Read off the measured value and compare with the value that is given in the specification.

9989876, 9999696



5

Use the same procedure to check all valve guides.
Replace the valve guides if the measured values exceed
the values given in the specification.