

Date	Group	No.	Supp.	Page
2.2005	871	500	01	1(11)

This Service Bulletin is a supplement for Service Manual 870-500, "Climate Control VN, VHD" (08.2000), publication number PV776-TSP144796.

Climate Control Panel, Replacement VN, VHD

Climate Control Panel, Replacement

This information covers the proper procedure for Climate Control Panel Cover Replacement for VN, VHD vehicles.

Contents:

- ["Climate Control Panel Component List" page 2](#)
- ["Climate Control Panel, Replacement" page 4](#)

Note: Information is subject to change without notice. Illustrations are used for reference only and may differ slightly from the actual vehicle being serviced. However, key components addressed in this information are represented as accurately as possible.

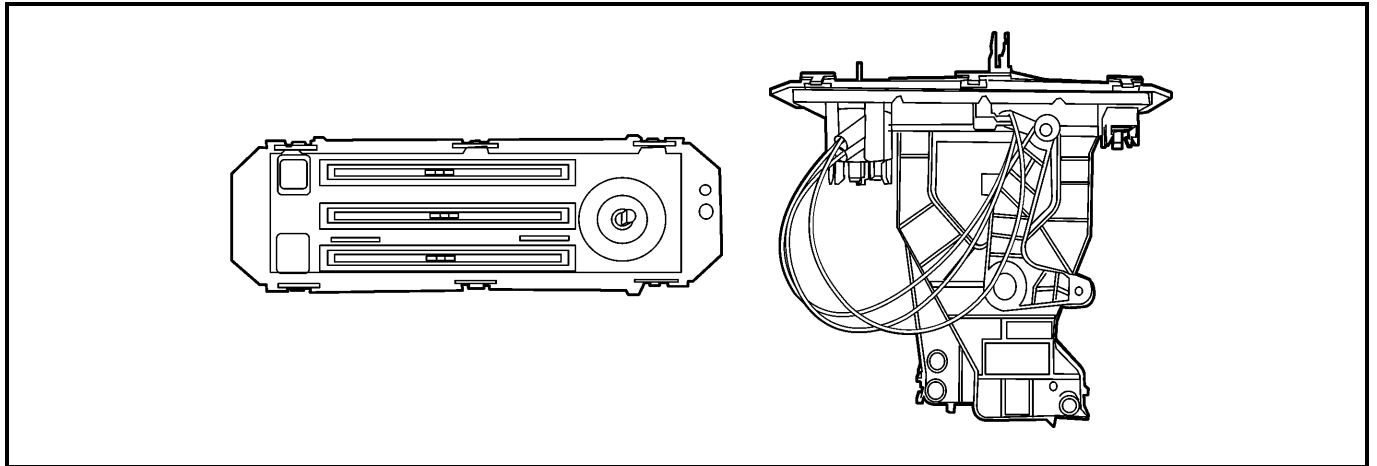
Climate Control Panel Component List

Repair Kit: Part Number 85107796

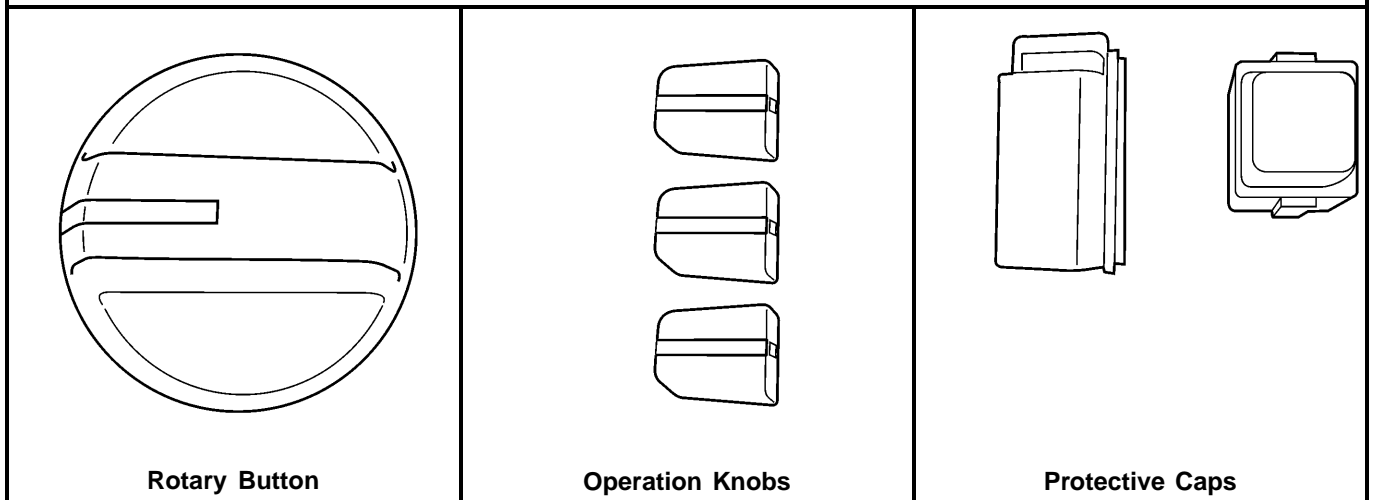
Part Number	Description	Quantity
	Console	1
3090801	Control Knob	3
309810	Cover Sleeve	2
	Cable Harness	1*
	Micro Switch	1*
677292	Bulb Socket	1
3090932	Bulb	1*
3090931	Bulb	1

Note: *Not required for North American Vehicles.

Components



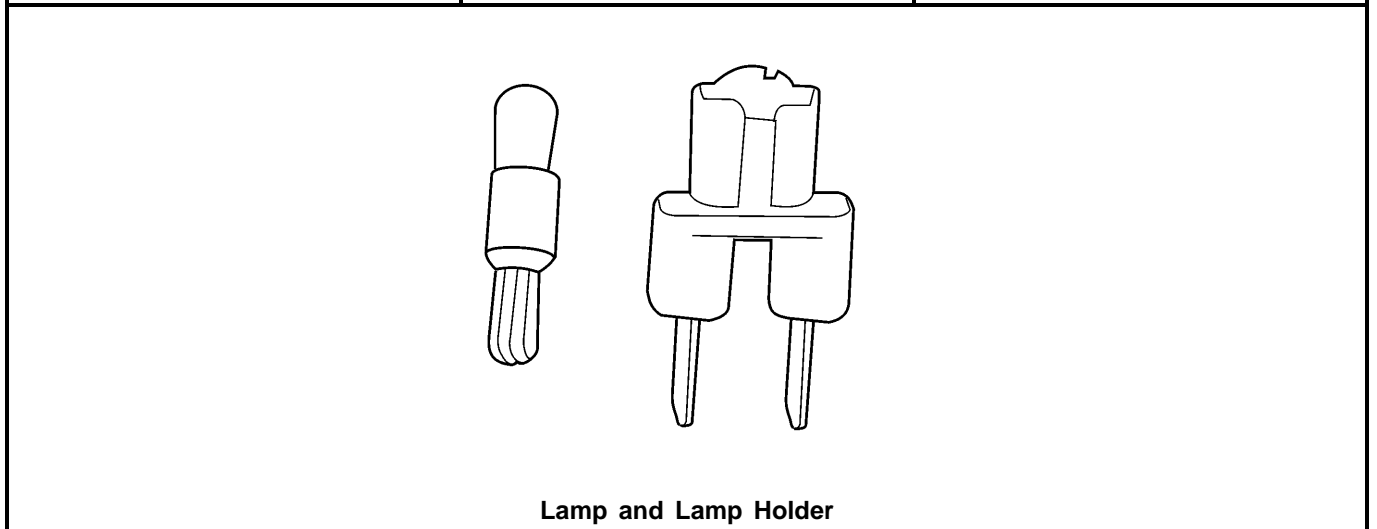
Control Panel



Rotary Button

Operation Knobs

Protective Caps



Lamp and Lamp Holder

8715-03-02-01 Climate Control Panel, Replacement

Note: This Service Procedure replaces Service Procedure 8712-03-02-06, "Climate Control Panel, Replacement."

You must read and understand the precautions and guidelines in Service Information, group 80, "General Safety Practices, Cab" before performing this procedure. If you are not properly trained and certified in this procedure, ask your supervisor for training before you perform it.

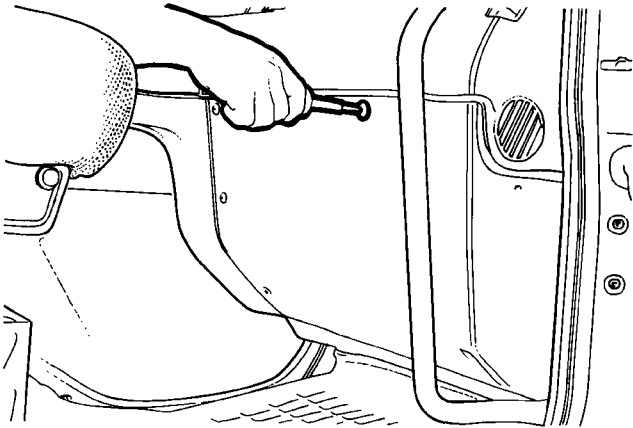
For further information refer to "Climate Control Panel Component List" page 2.

CAUTION

To avoid component damage, replace the Front Panel at room temperature only.

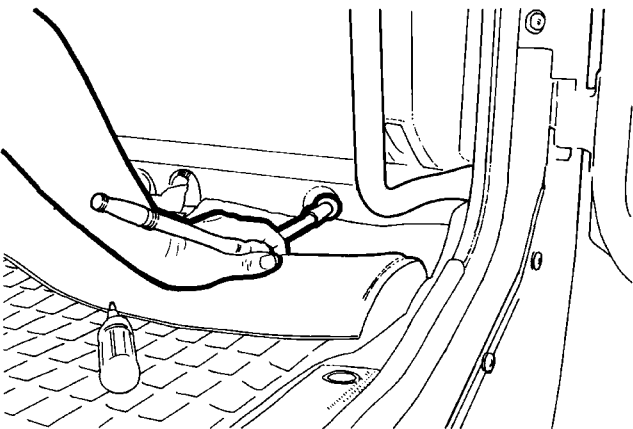
Removal

- 1 Remove the torx screws from the lower right dash panel. Remove the screws from the center dash panel.



W8001167

- 2 Pull the floor mat back and remove the plastic nuts. Remove the lower right and center dash panels.



W8001165

3
Remove the ash tray.

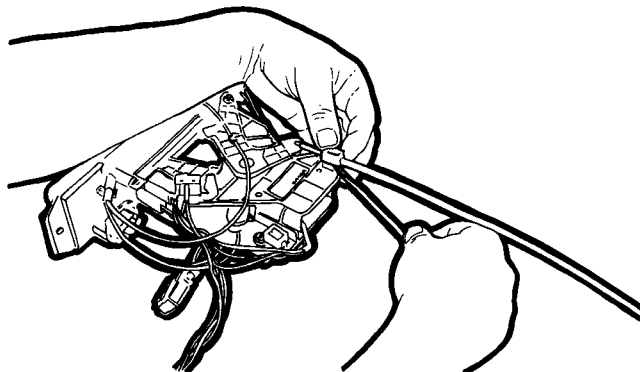
4
Remove the torx screws from the ash tray bracket.
Remove the bracket.

5
Remove the switch support panel by pulling the panel up
and sliding it out.

6
Remove the light switch panel by prying it loose with a
small screwdriver. Allow it to rest on the lower dash.

7
Remove the torx screws from the climate control panel
and pull the panel out of the dash.

8
Disconnect the cables from the control panel levers by
removing the plastic lock tabs. Use care not to bend
the cables.

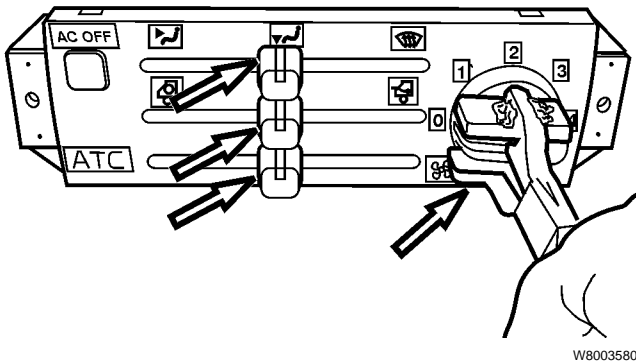


W8001241

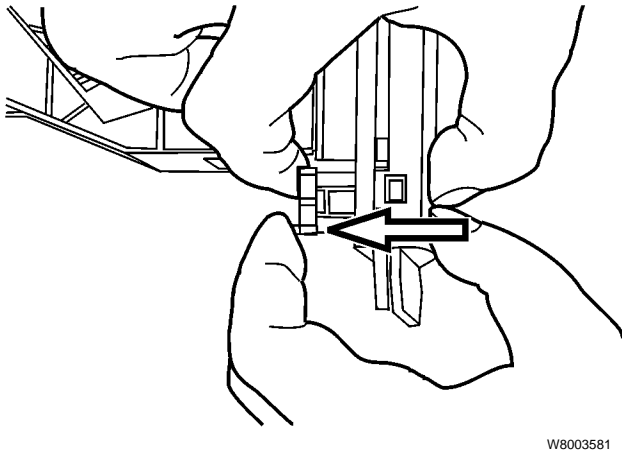
9
Disconnect the wire connectors from the control panel.

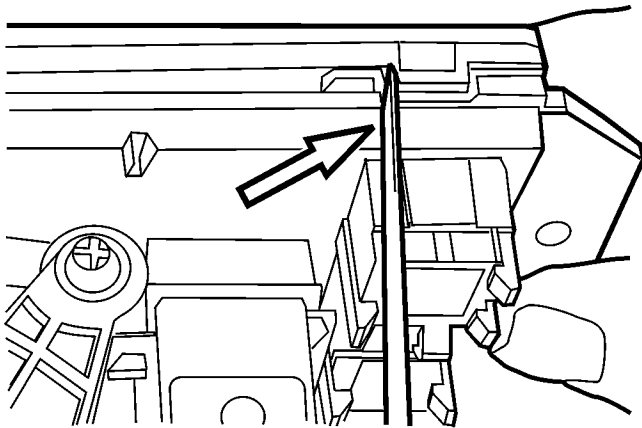
Front Panel Cover, Replacement

- 1**
Pull off the rotary button and operating knobs.



- 2**
Carefully, bend the three location lugs fastened on the guide plate, outwards. Push the protective cap and push button switch out towards the rear with your thumb.



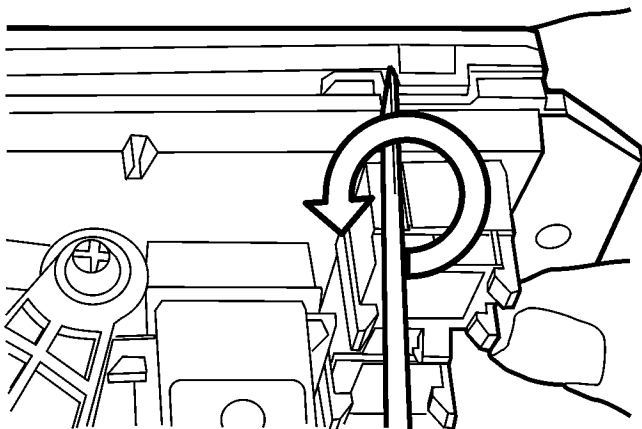


W8003582

3

On the front panel, insert flat head screwdriver, laterally, between the catches.

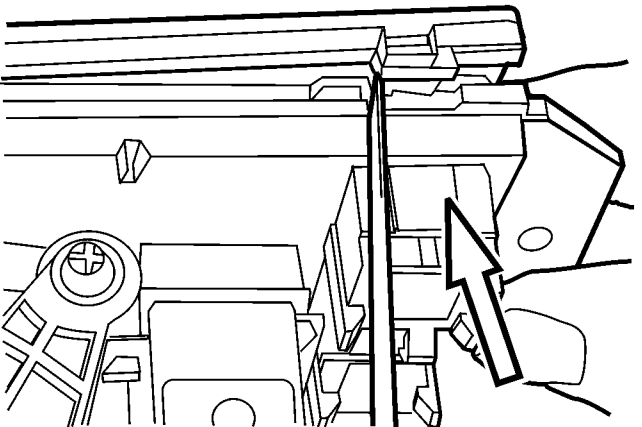
Note: Insert the screwdriver into the catches by turning it counterclockwise.



W8003583

4

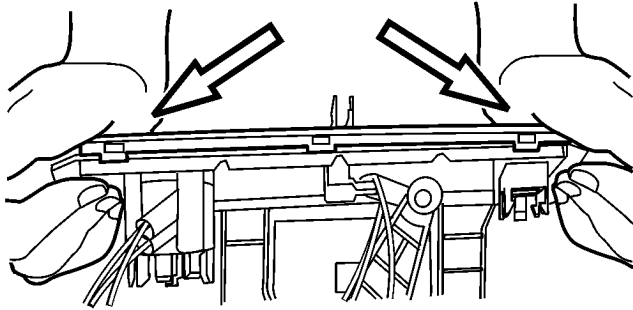
Using the screwdriver, push the catches of the front panel upwards and remove the front panel.



W8003584

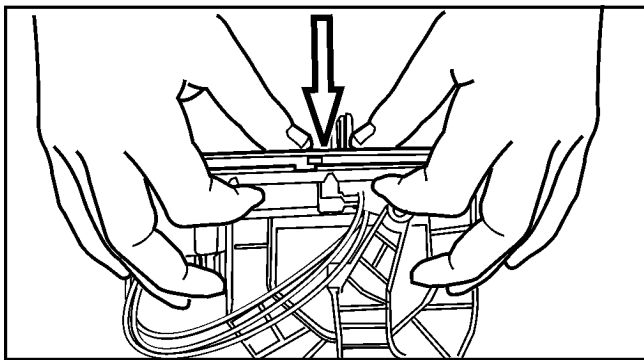
5

Plug the protective cap and push button switch into the guide plate and check for a firm fit.



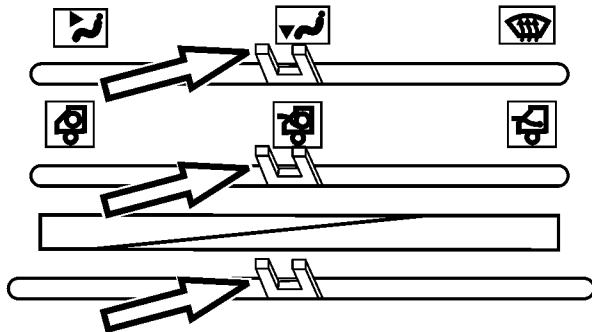
W8003585

6
Place the front panel in position on the guide plate and using the ball of the thumb of each hand, push it into the catches.



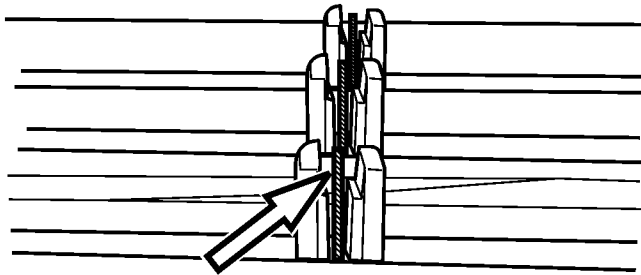
W8003586

7
Press all the catches again and confirm a secure fit.



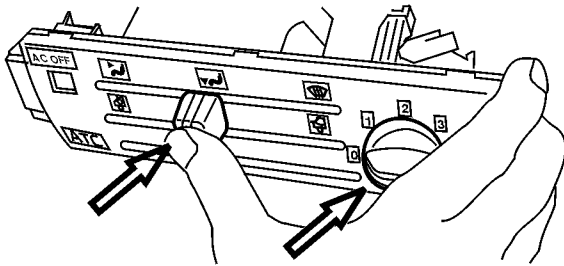
W8003587

8
To mount the buttons move the slides to the middle position.



W8003588

- 9**
Move the Light Guide Cable to the middle position.

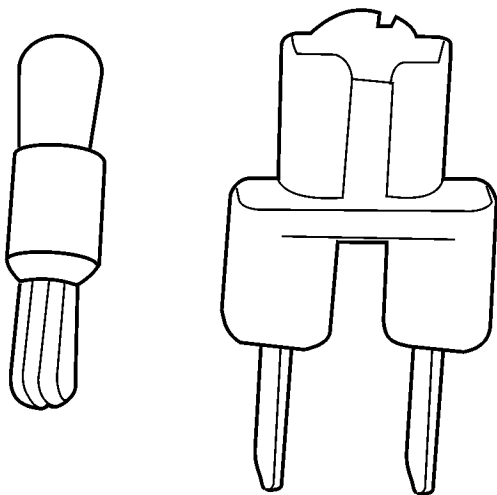


W8003589

- 10**
Push the rotary button and operating knobs in position and check for a firm fit.

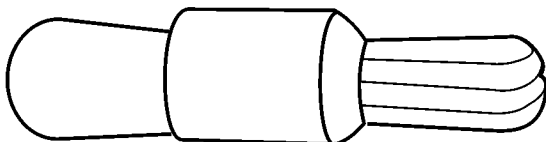
Holder Bulb, Replacement

- 1**
Remove the bulb holder from the control panel.



W8003599

- 2**
Remove the 12V Bulb.

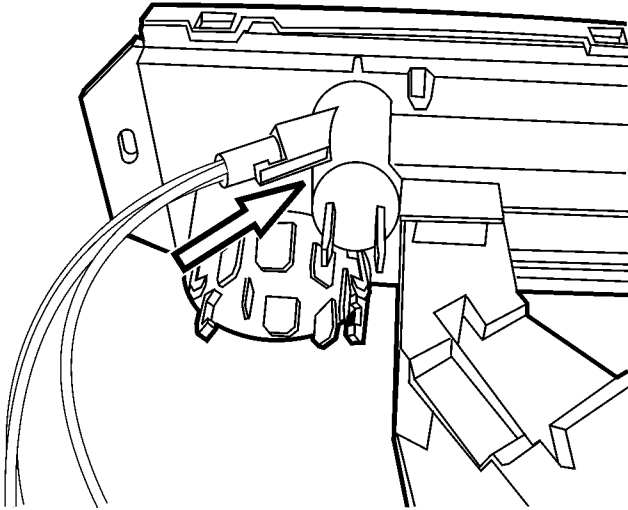


W8003590

- 3**
Insert the replacement 12V Bulb into the bulb holder.

Note: The 24V Bulb and micro-switch are not necessary for North American vehicles.

- 4**
Insert the bulb holder into the control panel.



W8003591

Installation

- 1**
Connect the wire connectors to the climate control panel.
- 2**
Connect the cables to the slide levers. Use care not to bend the cables.
- 3**
Insert the control panel into the dash. Install and tighten two torx screws.
- 4**
Install the light switch panel by pushing into place until it snaps in.
- 5**
Install the ash tray support bracket using two torx screws.
- 6**
Install the ash tray.

7

Install the panel under the center dash using four torx screws.

8

Install the lower right dash panel using seven torx screws.

9

Pull the floor mat back and install plastic nuts on the lower right panel and the panel under the center dash.