

This Service Manual Supplement is a Supplement to Service Manual, 820-500"Hood VHD"

Date	Group	Supp.	Page
7.2002	820 500	01	1(4)

Hood Modification

VHD

Headlamp Assembly, Replacement VHD

Modification of the VHD hood is necessary when installing a new headlamp assembly due to a new design. Follow the instructions on the next page to install the new headlamp assembly:

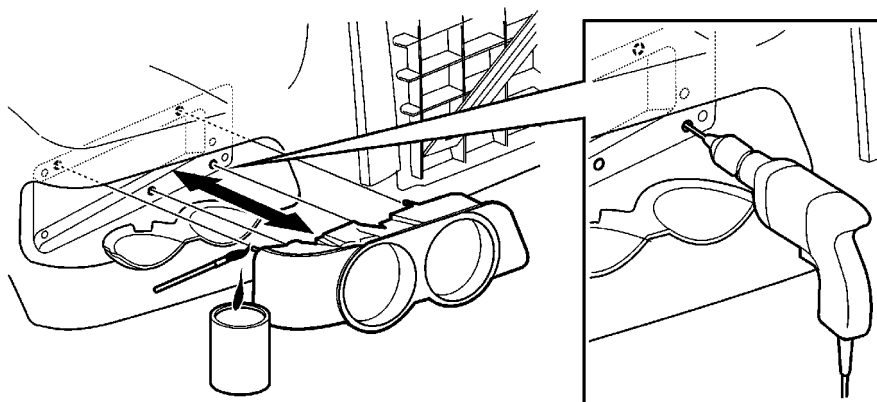
3521-03-02-01 Headlamp Assembly, Replacement

VHD

Removal

1
Cut plastic ties and remove wiring harness, the four mounting nuts and washers. Pull the headlamp assembly from the hood.

2



W3005035

Mark the holes by placing a small amount of paint at the end of each adjusting stud. Before the paint dries, set the headlamp assembly into position. When pulled out the paint marks will show points where the holes should be drilled.

Any color of paint and a small paint brush is acceptable.

3

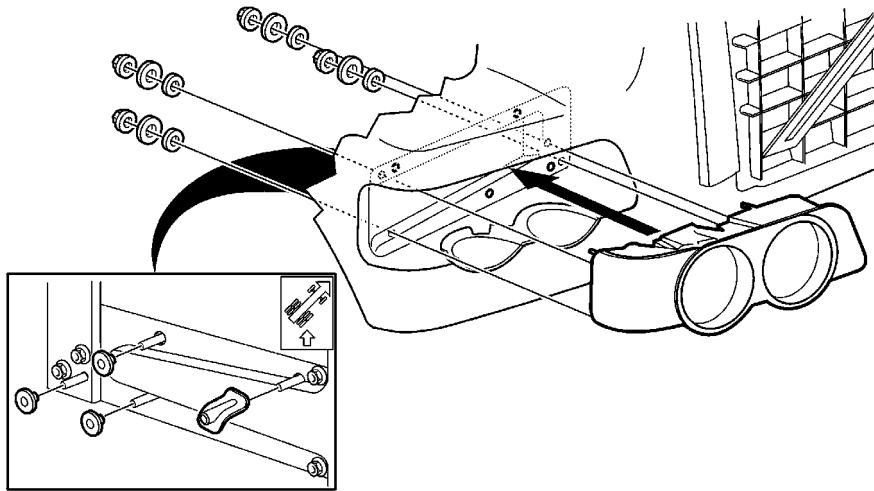
Use a drill and a 12.7 mm (1/2 in.) hole saw to drill the holes.

4

Wipe SMC dust out of the headlamp bucket and surrounding area.

Installation

1



W3005036

Install headlamp assembly and tighten all four mounting nuts. Connect wiring harness.

2

Replace and **tie strap as required.**

Parts List

Description	Quantity	Part number	Notes
HeadLamp	1	20434165	LH
HeadLamp	1	20434166	RH
Washer	8	976944	
Spring Washer	8	941907	
Flange Nut	8	945407	

Description	Quantity	Part number	Notes
HeadLamp Seal	1	20433399	LH
HeadLamp Seal	1	20433400	RH
HeadLamp Cover	6	20437167	
HeadLamp Cover	2	20462419	