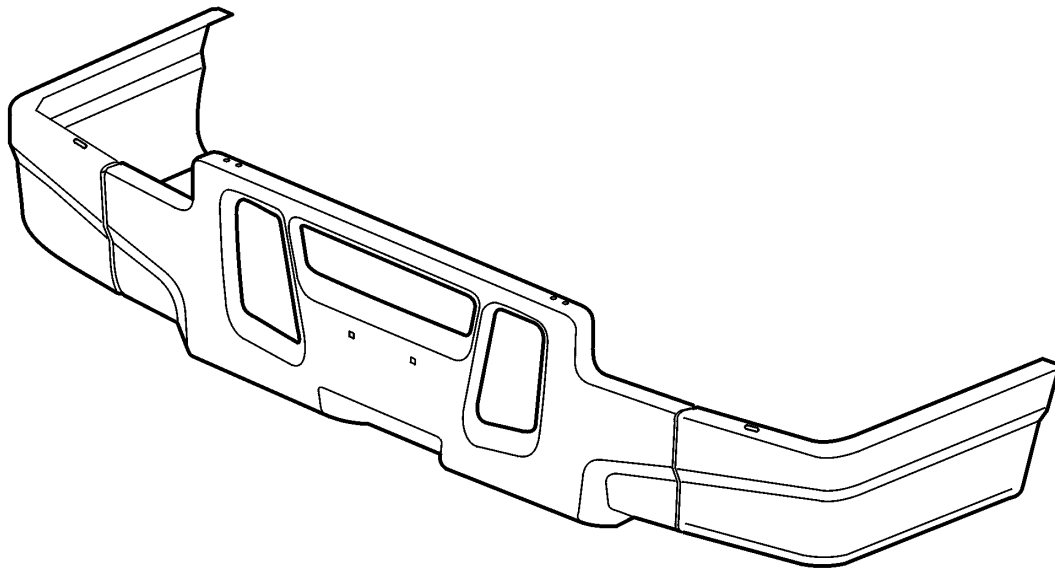


Front Bumper, Replacement VHD

Front Bumper Replacement



W8002756

(Effective from August 2000)

This information includes service procedures for front bumper removal, adjustment and installation on the VHD series VOLVO vehicles.

Contents

- For Axle Forward, see ["Front Bumper, Replacement" page 2.](#)
- For Axle Back, see ["Front Bumper, Replacement" page 4.](#)

Service Procedures

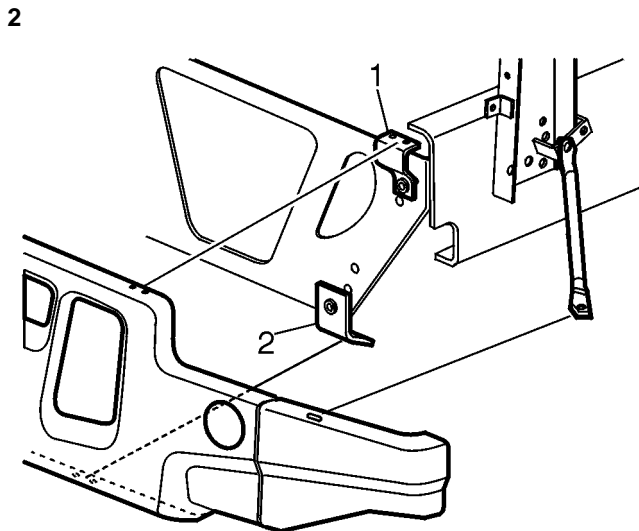
8611-03-02-01 Front Bumper, Replacement (Axle Forward)



Before working on the vehicle, set the parking brakes, place the transmission in neutral, and block the wheels. Failure to do so can result in unexpected vehicle movement and cause serious personal injury or death.

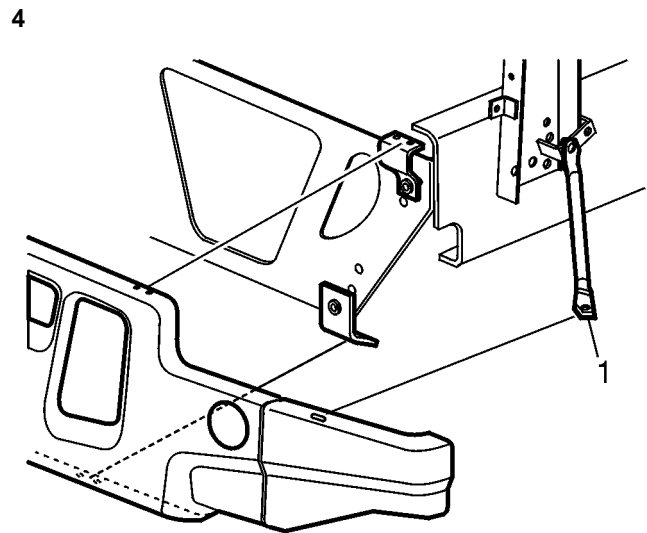
Removal

1
Unlatch and raise the hood.



Remove the 4 mounting screws (2) on the left and right side of the bumper.

3
Remove the 4 mounting screws (1) on the left and right side of the bumper.



4
Remove the 2 support rod screws and nuts (1) on the right and left side of the bumper.

W8002753

5
Carefully lower the hood but don't latch.

6
Remove the bumper from the vehicle.

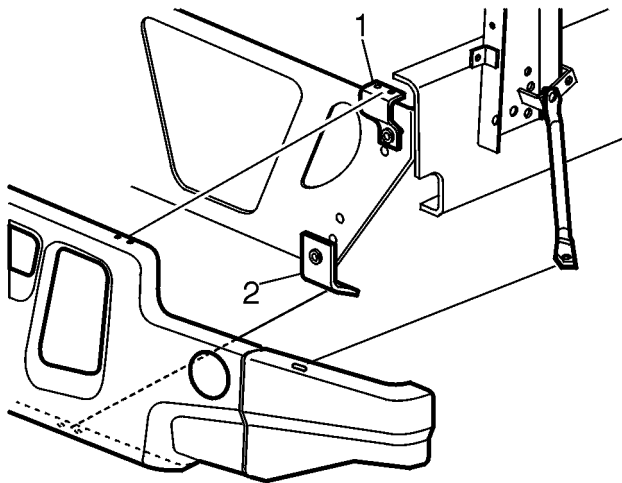
W8002763

Installation

1
With the hood down, place the replacement bumper into position on the vehicle.

2
Raise the hood.

3



W8002763

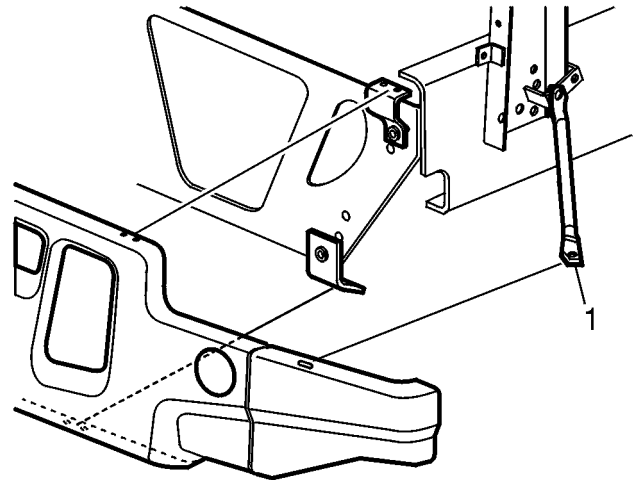
Install the 4 mounting screws and washers (1) on the left and right side of the bumper.
Do NOT tighten at this time.

4
Install the 4 mounting screws and washers (2) on the left and right side of the bumper.
Do NOT tighten at this time.

5
Center the side to side bumper alignment by measuring the distance from the side of the hood to the side of the bumper. Slide the bumper right or left as necessary until the measurement is equal on both sides.
Torque the 8 mounting screws to 24 ± 4 Nm (18 ± 3 ft-lb).

24 ± 4 Nm
(18 ± 3 ft-lb)

6



W8002753

Install the 2 support rod screws, washers and nuts (1) on the right and left side of the bumper. Torque to 24 ± 4 Nm (18 ± 3 ft-lb).

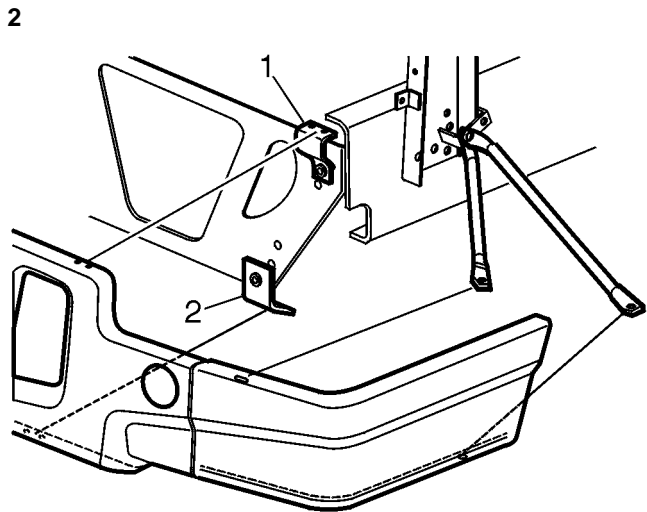
8611-03-02-01 Front Bumper, Replacement (Axle Back)



Before working on the vehicle, set the parking brakes, place the transmission in neutral, and block the wheels. Failure to do so can result in unexpected vehicle movement and cause serious personal injury or death.

Removal

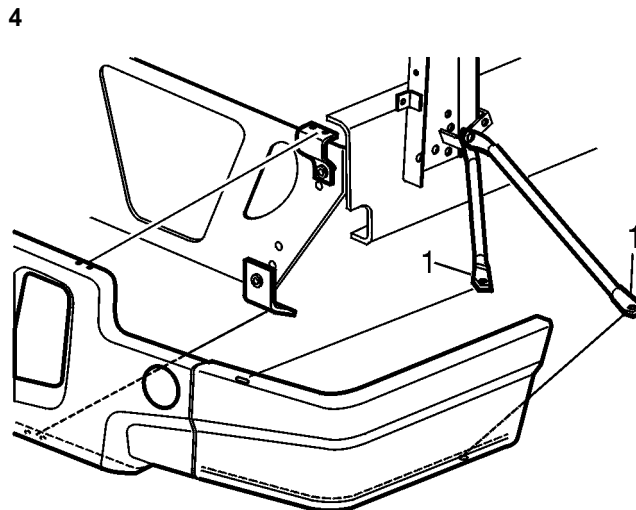
1
Unlatch and raise the hood.



W8002723

Remove the 4 mounting screws (2) on the left and right side of the bumper.

3
Remove the 4 mounting screws (1) on the left and right side of the bumper.



W8002762

4
Remove the 2 support rod screws and nuts (1) on the right side of the bumper.

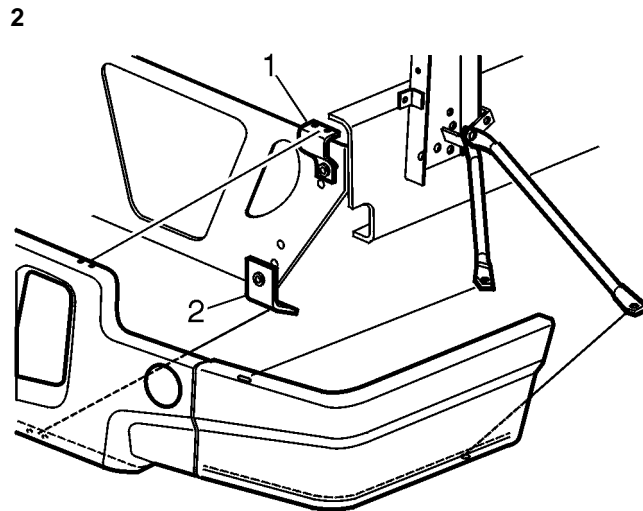
5
Remove the 2 support rod screws and nuts on the left side of the bumper.

6
Carefully lower the hood but don't latch.

7
Remove the bumper from the vehicle.

Installation

1
Place the replacement bumper into position on the vehicle.

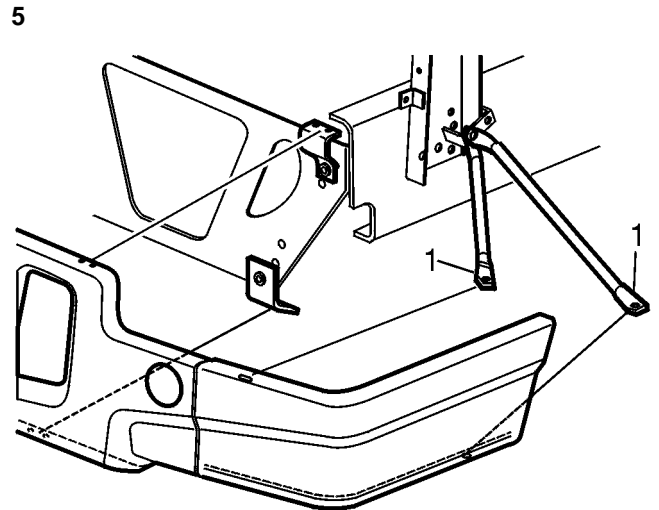


W8002723

Install the 4 mounting screws and washers (1) on the left and right side of the bumper.
Do NOT tighten at this time.

3
Install the 4 mounting screws and washers (2) on the left and right side of the bumper.
Do NOT tighten at this time.

4
Center the side to side bumper alignment by measuring the distance from the side of the hood to the side of the bumper. Slide the bumper right or left as necessary until the measurement is equal on both sides.
Torque the 8 mounting screws to 24 ± 4 Nm (18 ± 3 ft-lb).



W8002762

Install the 2 support rod screws and nuts (1) on the right side of the bumper. Torque to 24 ± 4 Nm (18 ± 3 ft-lb).

6
Install the 2 support rod screws, washers and nuts on the left side of the bumper. Torque to 24 ± 4 Nm (18 ± 3 ft-lb).