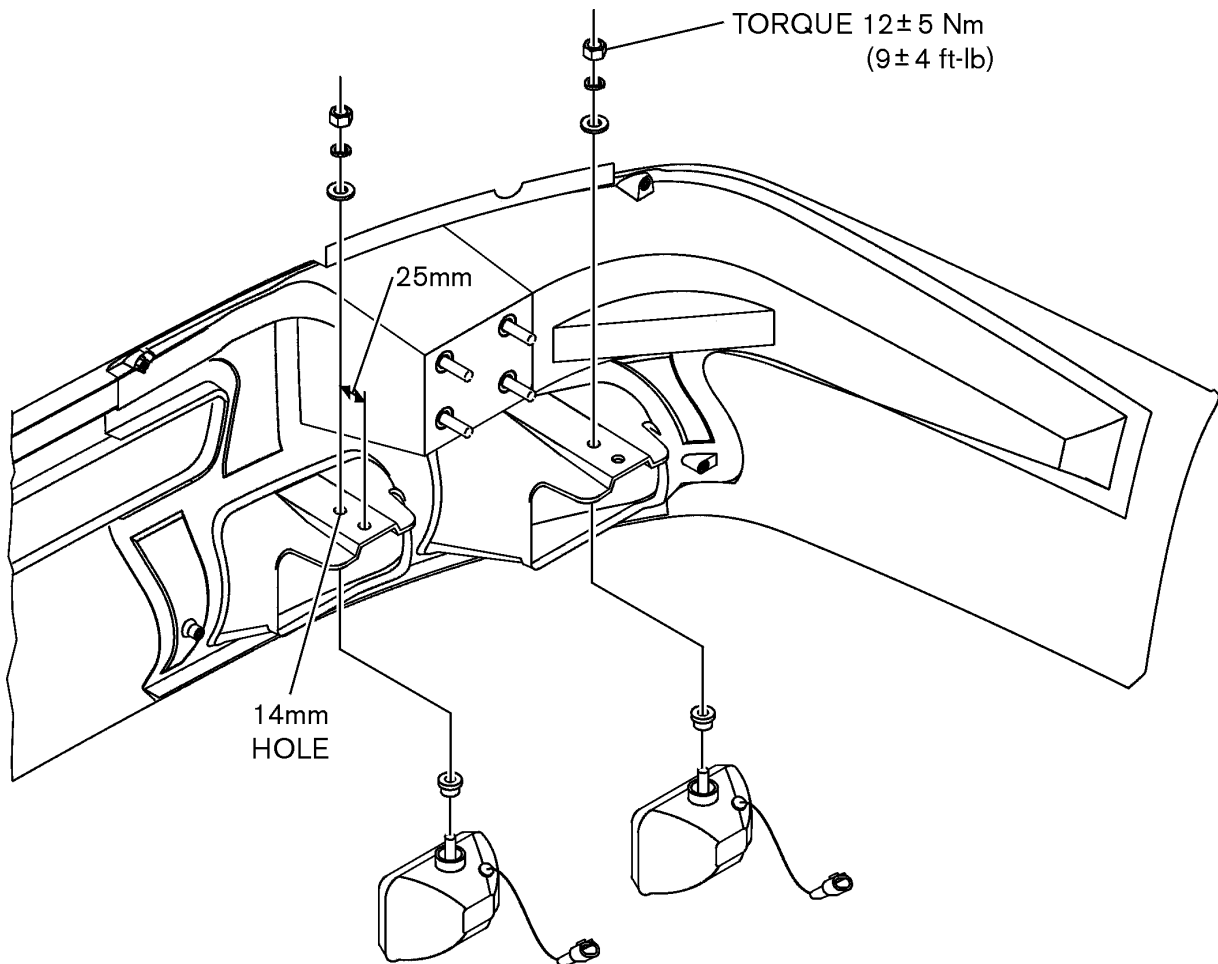


This Service Bulletin is a supplement to Service Manual, Group 86, Front Bumper, VNL, VNM, PV776-TSP103726/1.

Date	Group	Supp.	Page
11.98	86	01	1(1)

Front Bumper
VNL, VNM

Installing Grote Drive and Fog Lamps on the SMC Bumper



W8002295

In October 1998, a new SMC bumper for the VN Series went into production. This new bumper is designed to mount Unity brand drive and fog lamps. Before production of the new design, Grote brand drive and fog lamps were used.

The previous bumper design is not available as a replacement part. However, if the bumper is replaced and Grote lamps are to be used on the new bumper, the bumper must be modified.

For each Grote lamp to be used, drill an additional mounting hole 25 mm (1 in.) forward of the existing mounting hole. The new mounting hole size is 14 mm (0.55 in.). Torque the lamp mounting bolt to 12 ± 5 (9 ± 4 ft-lb).