

Date	Group	No.	Page
5.2004	855	006	1(16)

Floor Mat, Replacement VNL 770 VERSION1

Floor Mat, Replacement

This service bulletin is intended to give information on the Floor Mat, Replacement procedure for the Volvo VN 770 VERSION1 vehicle.

For further information, refer to other service information in group 8.

Contents:

- [“Floor Mat, Replacement \(Sleeper\)” page 2](#)

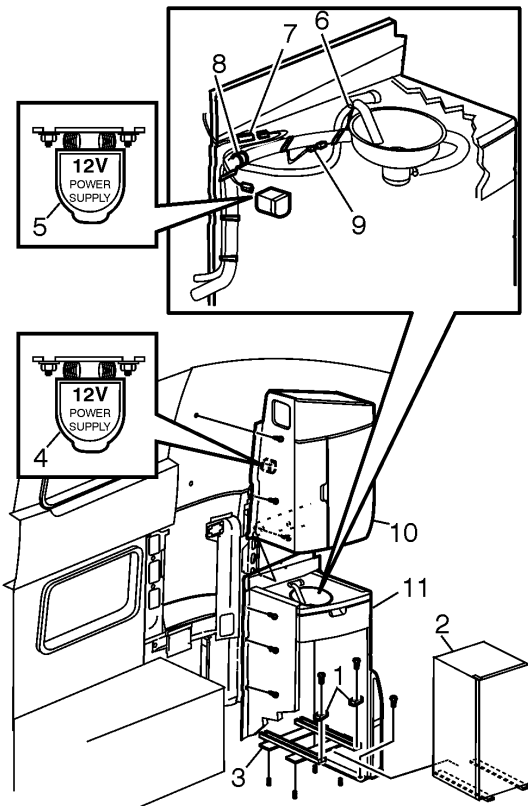
Note: Information is subject to change without notice.
Illustrations are used for reference only and may differ slightly from the actual vehicle being serviced. However, key components addressed in this information are represented as accurately as possible.

8552-03-02-08 Floor Mat, Replacement (Sleeper)

You must read and understand the precautions and guidelines in Service Information, group 80, "General Safety Practices" before performing this procedure. If you are not properly trained and certified in this procedure, ask your supervisor for training before you perform it.

Removal

1
Disconnect the 12 Volt wire harness at the accessory plug, behind the driver's seat in the top cabinet.



W8003460

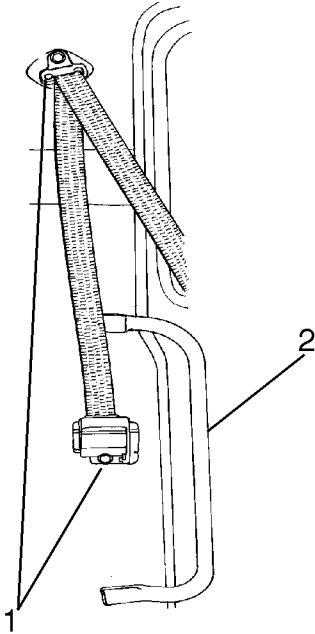
- 1 Refrigerator Mounting Screws
- 2 Refrigerator
- 3 Refrigerator Tracks
- 4 12 volt Accessory Plug
- 5 12 volt Accessory Plug
- 6 Water Lines
- 7 Inline connector
- 8 Drainage Line
- 9 Faucet Connector
- 10 Upper Cabinet
- 11 Lower Cabinet

2
Assistance should be used when removing or installing the refrigerator and/or climate unit from the vehicle to avoid personal injury.

9
Remove the top cabinet from the bottom section and remove the wires from the rear of the cabinet.

10
Remove nylon ties from the water lines securing the lines to the rear of the cabinet.

11
Remove the seat belt mounts at "B" pillar, grab handle, threshold plate and trim panel.

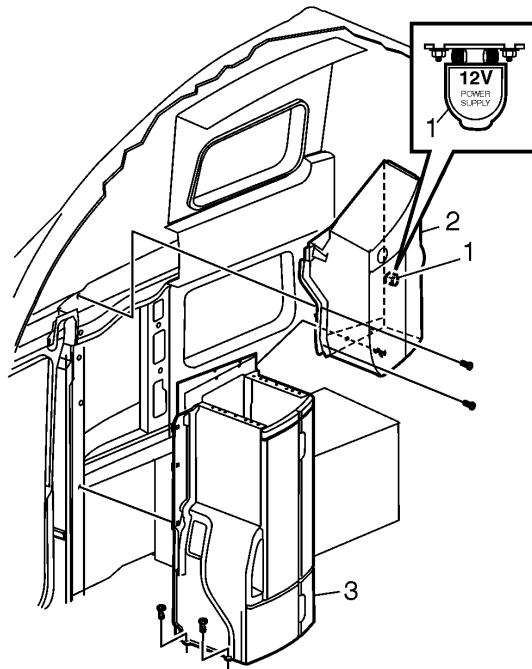


1 Seat Belt Mounts

2 Grab Handle

W8003469

12
Remove wall mounting bolts on bottom cabinet.



W8003463

- 1 12 Volt Power Supply
- 2 Upper Cabinet
- 3 Lower Cabinet

13
Remove floor mounting bolts, lift up and out to remove cabinet from truck.

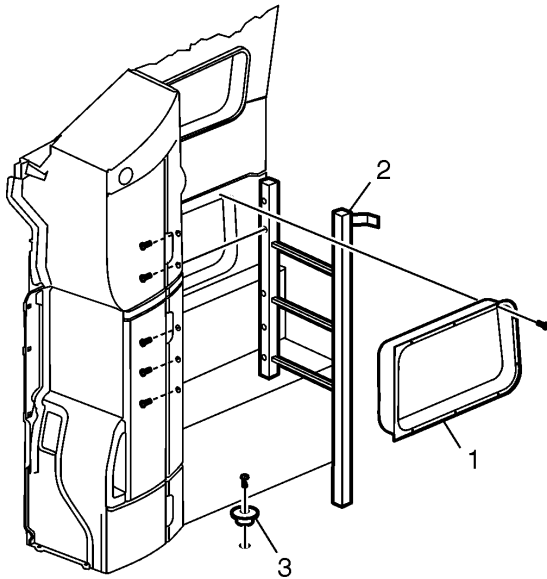
14
Disconnect 12 Volt wire from accessory plug in the top cabinet on the passenger side.

15
Remove the bunk window trim for the passenger side.

16
Remove the passenger side bunk storage compartment.

17

Remove the ladder for the top bunk that is mounted to the cabinets.



W8003464

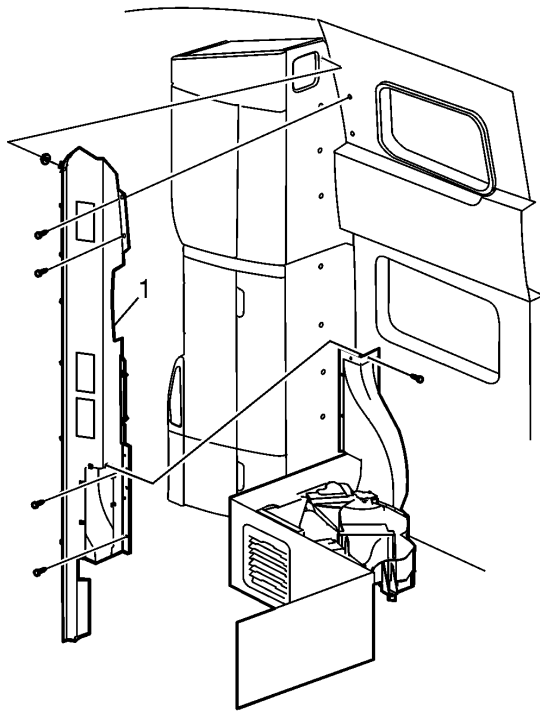
- 1 Window Trim
- 2 Ladder
- 3 Floor Stop

18

Open the side compartment (under the bunk) on the passenger side.

19

Disconnect the wire harness at the heat duct.



W8003465

Trim Panel near Heat Duct

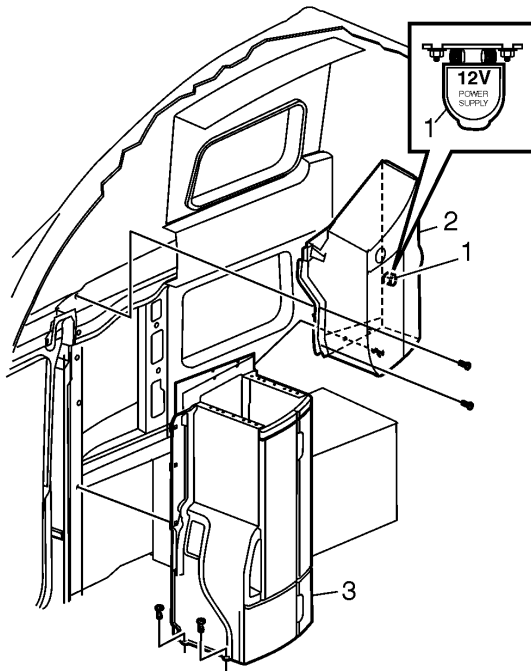
1 Trim Panel

20
Remove the duct work from the heater box to the bunk vent panel.

21
Remove the vent panel.

22
Remove the safety belt from the "B" pillar at the passenger door.

23
Remove the grab handle, threshold plate and the "B" pillar trim panel.



- 1 12 Volt Power Supply
- 2 Upper Cabinet
- 3 Lower Cabinet

W8003463

24
Remove the top cabinet wall mounting bolts.

25
Remove the bottom bolts that connect the top and bottom cabinets together.

26
Slide the top cabinet outward.

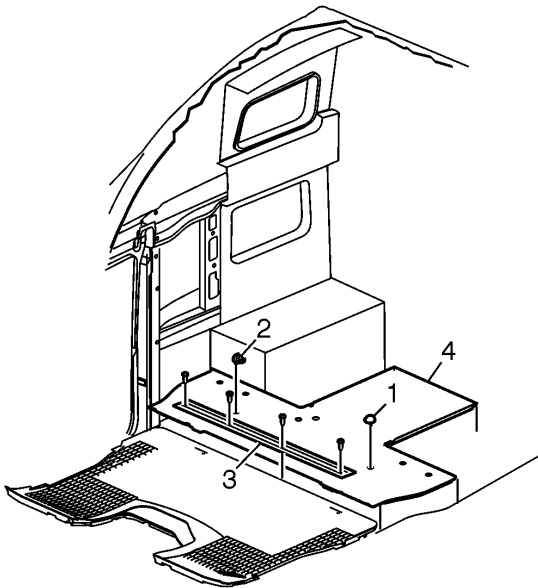
27
Remove the wires from the rear of the cabinet.

28
Remove the wall mounting bolts for the bottom cabinet.

29
Remove the floor mounting bolts.

30
Lift up on cabinet and move the cabinet forward and out of the truck.

31
Remove the ladder support mount from the center of the rear floor mat.



W8003462

- 1 Doorstops
- 2 Threshold Trim Panel
- 3 Mat

32

Remove the carpet trim panel, between the front and rear mats.

33

Lift the mat up and out of the truck.

Installation

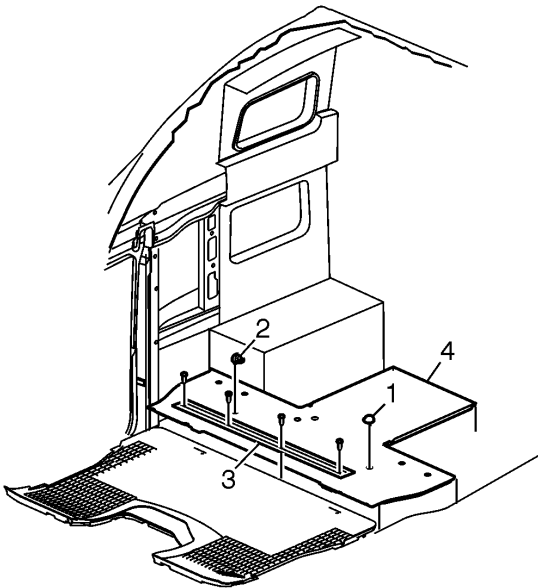
34

Lay the new mat on a flat surface, using the old mat as a pattern to mark cutouts for the new mat.

35

Cut holes in the new mat for the ladder support and holes for the cabinet and refrigerator.

36
Install the new mat.



W8003462

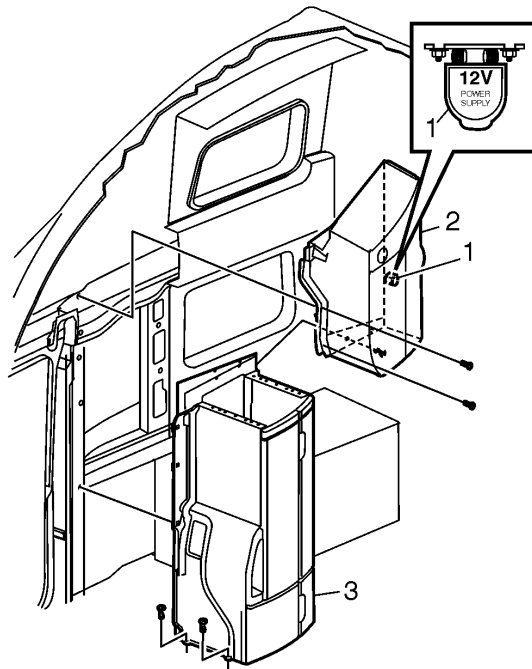
- 1 Doorstops
- 2 Threshold Trim Plate
- 3 Mat

37
Install the ladder support mount.

38
Install the carpet trim panel.

39
Position the passenger side, bottom cabinet and secure with the wall mounting bolts.

40
Install the cabinet floor mounting bolts and secure.



W8003463

- 1 12 Volt Power Supply
- 2 Upper Cabinet
- 3 Lower Cabinet

41
Position the top cabinet, insuring that the wires are reinserted through the back of the cabinet.

42
Install the bottom mounting bolts and secure.

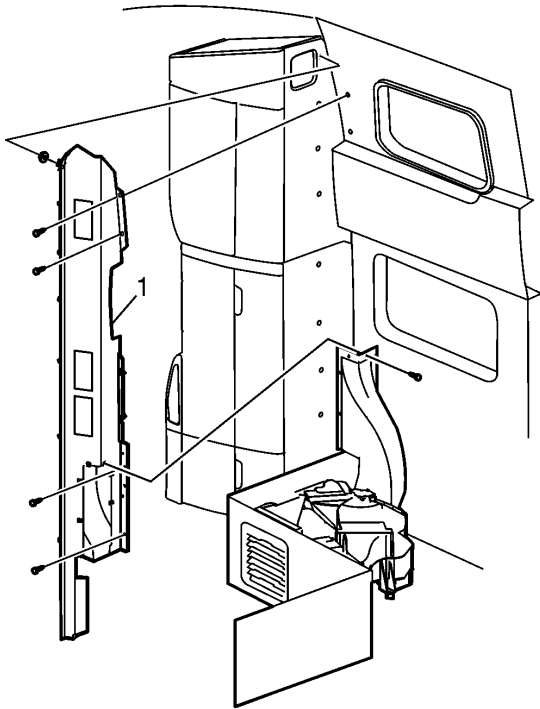
43
Install the wall mounting bolts and secure.

44
Connect the wire harness to the 12 Volt accessory plug, in the top of the cabinet.

45
Install the bunk heater vent panel.

46

Install the heater duct, from the heater box, to the vent panel.



1 Vent Panel

W8003465

47

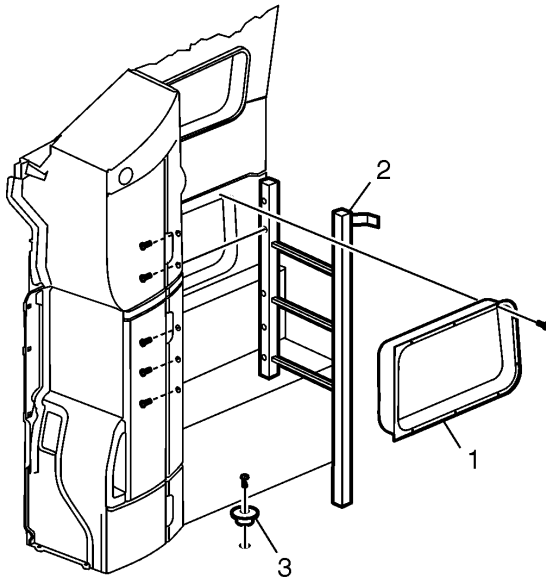
Connect the wire harness to the switch on the duct under the bunk (inside the compartment).

48

Install the storage compartment at the end of the bunk (passenger side).

49

Install and secure the top bunk ladder.



W8003464

- 1 Window Trim
- 2 Ladder
- 3 Floor Stop

50

Install the bunk window trims.

51

Install the trim panel at the "B" pillar.

52

Install the passenger threshold plate.

53

Install the passenger side seat belt.

54

Install the rear grab handle.

55

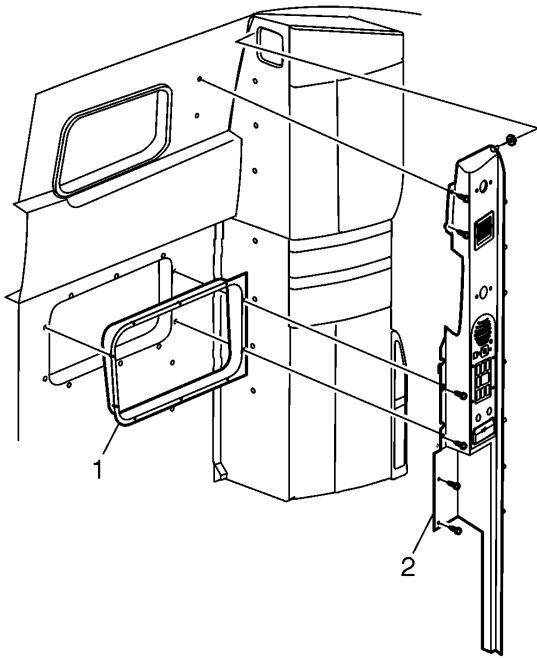
Install the driver's side, bottom cabinet and secure.

56

Install the top cabinet and secure, insuring to route the wires through the rear of the cabinet.

57

Install the climate control panel and secure.



W8003461

1 Window Trim

2 Control Panel

58

Install the bunk window trims.

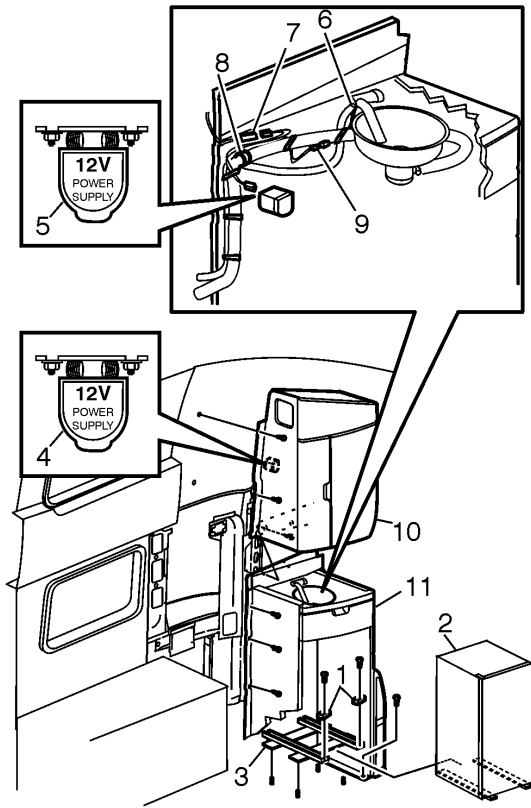
59

Connect the 12 Volt accessory plug.

60

Install the top drawer.

61
Install the sink drawer.



W8003460

- 1 Refrigerator Mounting Screws
- 2 Refrigerator
- 3 Refrigerator Tracks
- 4 12 volt Accessory Plug
- 5 12 volt Accessory Plug
- 6 Water Lines
- 7 Inline connector
- 8 Drainage Line
- 9 Faucet Connector
- 10 Upper Cabinet
- 11 Lower Cabinet

62
Using nylon ties, secure the water lines for the sink to rear of the cabinet.

63

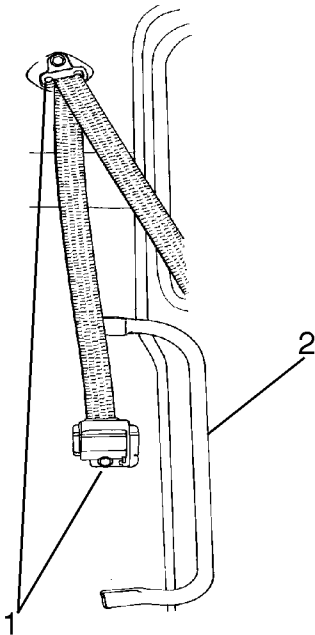
 **WARNING**

Assistance should be used when removing or installing the refrigerator and/or climate unit from the vehicle to avoid personal injury.

Position the refrigerator in place, connect power supply and slide the refrigerator back into the cabinet and secure the mounting bolts.

64

Install the "B" trim panel, safety belt and grab handle.



W8003469

1 Seat Belt Mounts

2 Grab Handle

65

Install the threshold plate.