

Date	Group	No.	Page
8.2003	764	003	1(4)

Leveling Valve
Barksdale
VN

Leveling Valve

(Effective from January 2002)

An improved Barksdale rear suspension leveling valve, Volvo part no. 3188710 is available from Volvo Parts for appropriate service use. The revised valve provides the mounting configuration and deadband precision needed to replace those valves used in early VN's (1997, 1998, 1999), originally built with the Barksdale leveling valve. The improved leveling valve is to be used on an as needed basis only.

Note: The improved leveling valve is not meant to be used as a replacement on current production VN's. The mounting bracket used to mount the current Wabco leveling valve, Volvo part no. 20461882, does not fit.

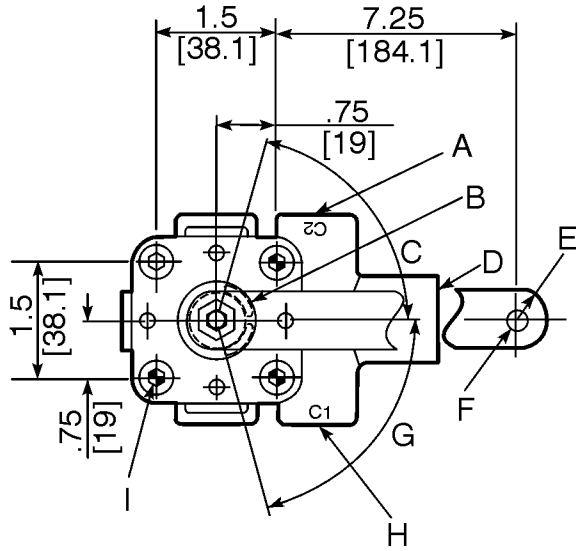
Note: For service procedures for the Barksdale Leveling Valve, refer to Service Manual 720-500, "Volvo Optimized Air Suspension from 5/99" (10.2000), publication no. PV776-TSP143273.

Contents:

- ["Leveling Valve" page 2](#)

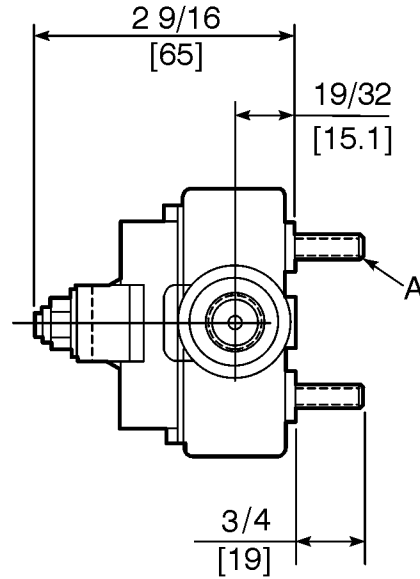
Leveling Valve

Barksdale



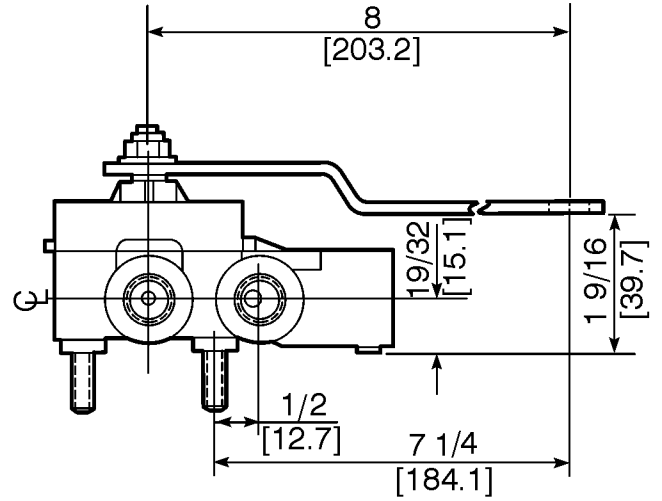
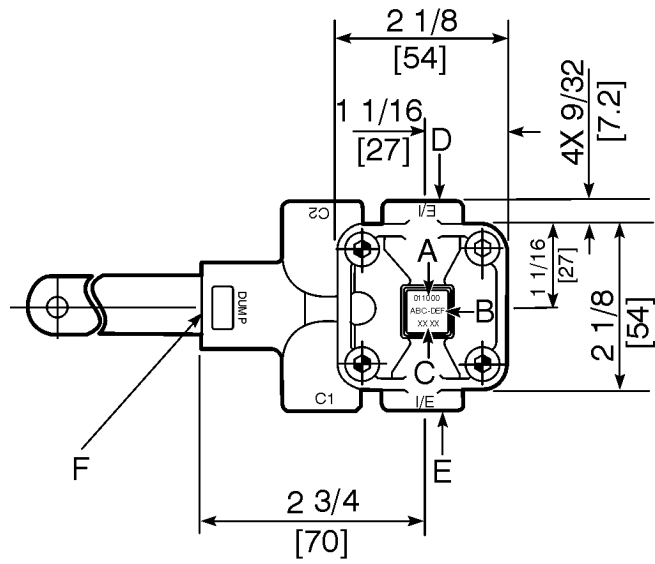
Barksdale Leveling Valve, Top View

- A C2 Port (Out to Bag)
- B Rotor Slots
- C 75° Angle
- D Dump Port
- E .375 (9.5)
- F .266 (6.8)
- G 75° Angle
- H C1 Port (Out to Bag)
- I Mounting Screw



Barksdale Leveling Valve, Side View

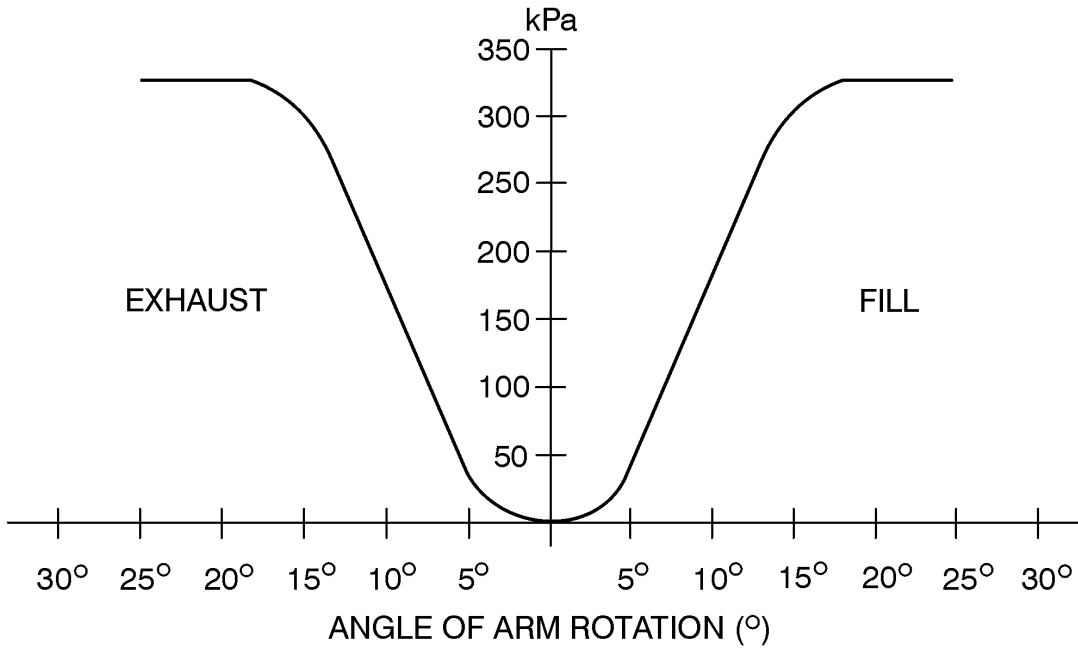
- A Mounting Bolt



Barksdale Leveling Valve, Side View

- A Volvo Model Number
- B Barksdale Model Number
- C Date Code
- D In Port
- E Exhaust Port
- F Dump Port

AVERAGE FLOW VERSUS ANGLE OF ARM ROTATION



Note: Inlet Pressure =8 bar (116 psi).