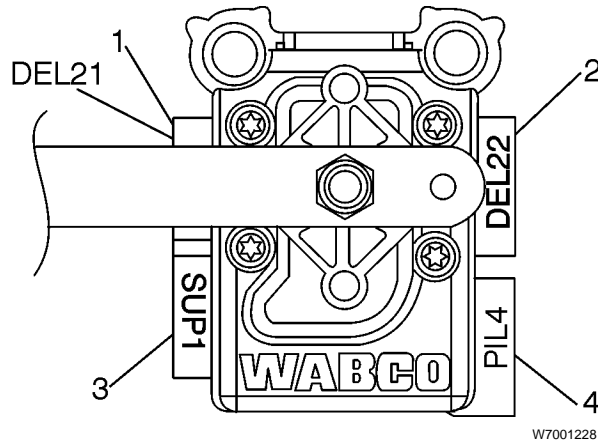


Date	Group	No.	Page
8.2003	764	004	1(2)

Wabco Leveling Valve VN, VHD

Leveling Valve



- 1 Air Bag Port
- 2 Air Bag Port
- 3 B-Tank Port
- 4 Dump Switch Port

The Wabco leveling valve is the standard replacement leveling valve for Volvo Trucks. This bulletin contains the installation procedure for the Wabco leveling valve.

7641-02-01-01 Load Leveling Valve, Installation

DANGER

Before working on a vehicle, set the parking brakes, place the transmission in neutral, and block the wheels. Failure to do so can result in unexpected vehicle movement and can cause serious personal injury or death.

WARNING

Before beginning any service work on any part of the air system, be certain that the air pressure has been released. Failure to do so may cause a component to violently separate, which can result in serious personal injury.

1

Measure the ride height per the information in the Rear Suspension Air Ride/4 Spring Service Manual, publication number PV776-726-600SM.

Note: The Wabco Valve mounting will be the same as the Barksdale Leveling Valve.

2

Note: Use Fastener Kit # 85100852 with the following items:

Part Number Locknut M6.6
946035

Part Number Flange Screw M6.60
965178

Part Number Plug 1/4 x 3/8 square
3082862

Part Number Flange Lock Nut M6, 7.3
949278

3

Connect airline mountings according to the illustration (See page 1).

Note: Discard the line/fitting for exhaust port on the old valve. The new valve has a built in exhaust port.

4

If necessary, adjust the linking rod to attain correct ride height.

5

Reset ride height to exact measurements.

6

Check leveling valve connections for air leaks.