

This Service Bulletin is a supplement to Service Manual 720-500, "VOAS 5/99, VN" (08.2000), publication no. PV776-TSP143273.

Date	Group	No.	Supp.	Page
11.2001	720	500	01	1(4)

Volvo Optimized Air System 5/99

VN

Upper Shock Bracket

This supplement provides updated information for Service Manual 720-500, "VOAS 5/99, VN", publication no. PV776-TSP143273, dated 08.2000. Included are illustrations for the Rear Shock Absorber Mounting, in relation to the Upper Shock Bracket, for the VOAS 5/99 system.

Note: For further information on the VOAS 5/99 system refer to Service Manual, "VOAS 5/99, VN" in Function Group 7.

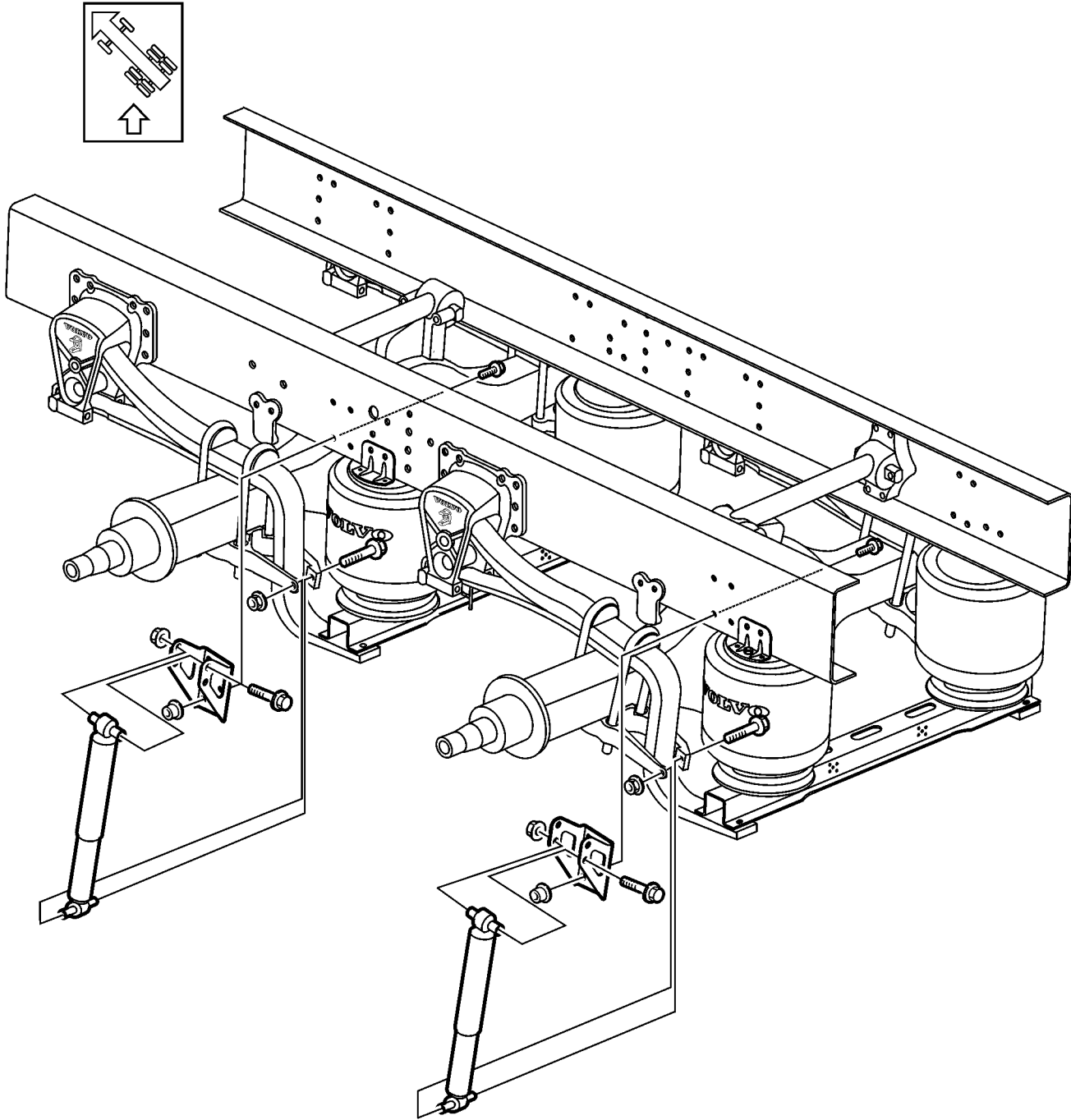
Contents

- ["Upper Shock Absorber Bracket, Drawings" page 2](#)

Design and Function

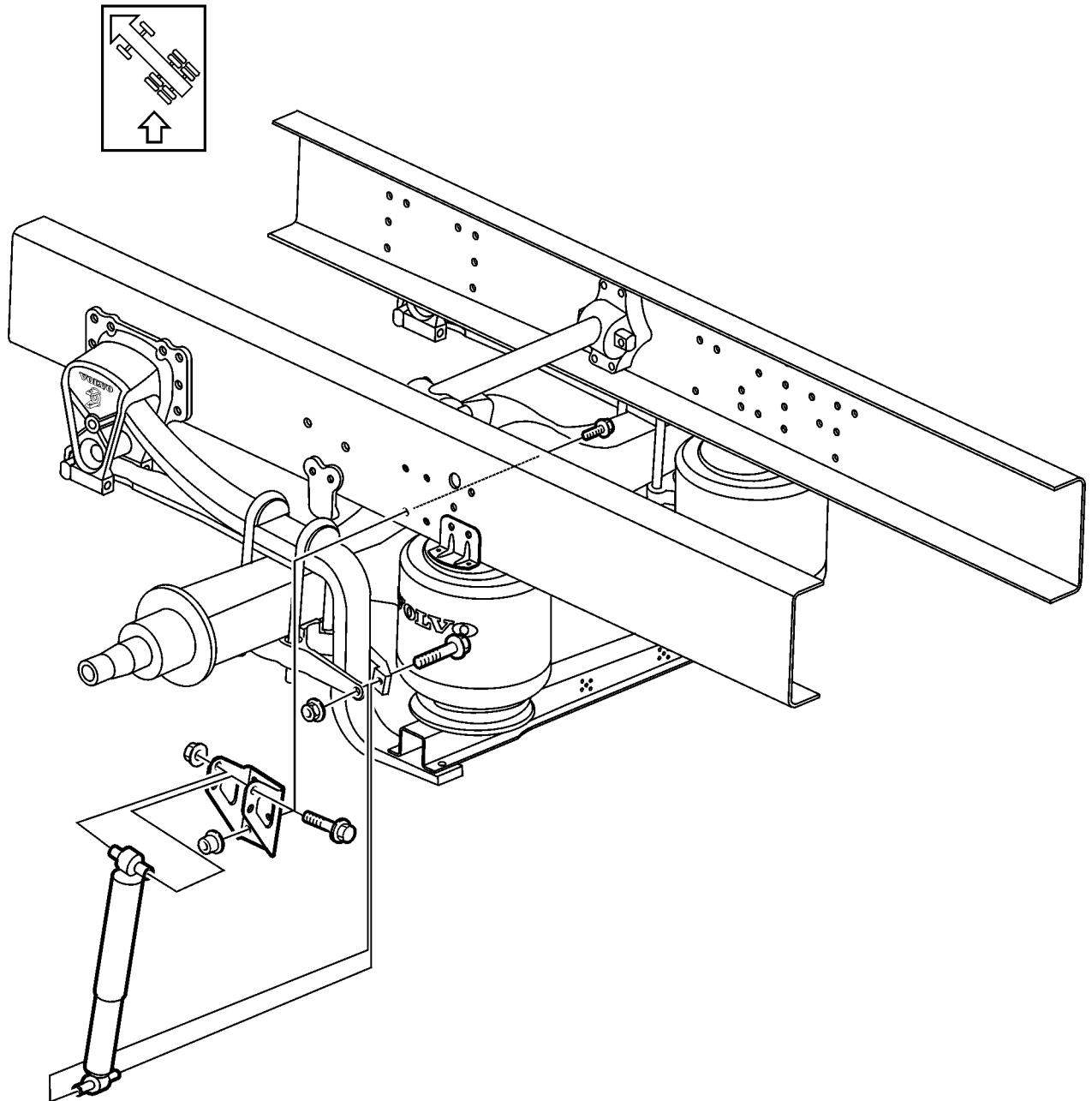
Upper Shock Absorber Bracket, Drawings

Rear Ride Height Variants - 180/200, 6x4



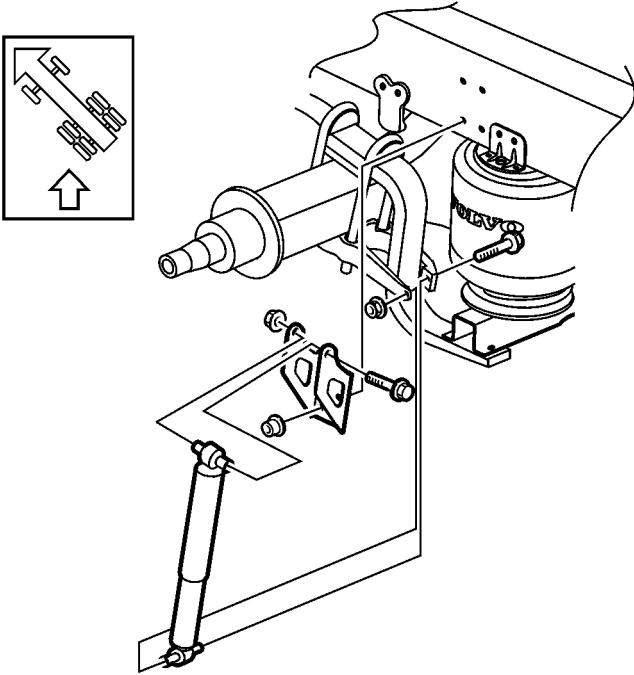
Double Bracket, 6x4

Rear Ride Height Variants - 200, 4x2

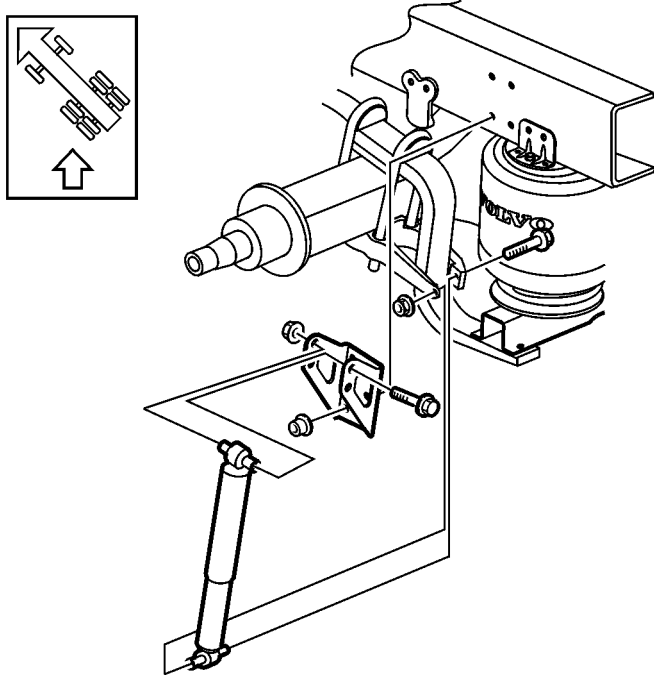


Double Bracket, 4x2

Rear Ride Height Variants - 160, 6x4



Single Bracket Variant, 6x4



Double Bracket Variant, 6x4