

Date	Group	No.	Page
11.2003	261	013	1(6)

Rockguard , New Installation
VN

Rockguard, New Installation

This information covers the proper procedures to install the Rockguard Retrofit onto the VNL vehicle.

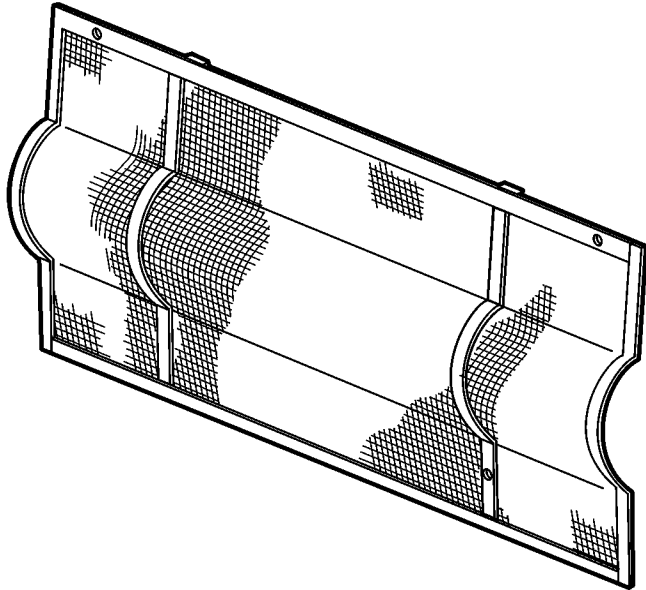
Contents:

- ["Rockguard, New Installation" page 2](#)

Note: Information is subject to change without notice.
Illustrations are used for reference only and may differ slightly from the actual vehicle being serviced. However, key components addressed in this information are represented as accurately as possible.

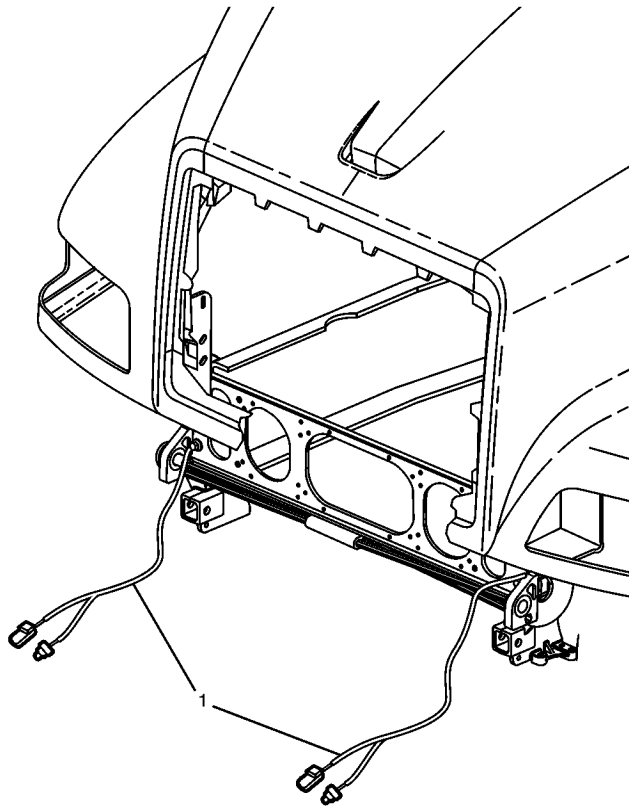
2614-18-02-01 Rockguard, New Installation

VNL



W2004336

You must read and understand the precautions and guidelines in Service Information, group 200, "General Safety Practices, Engine" before performing this procedure. If you are not properly trained and certified in this procedure, ask your supervisor for training before you perform it.



1 Fog/Driving Light Wire Harness

W8003422

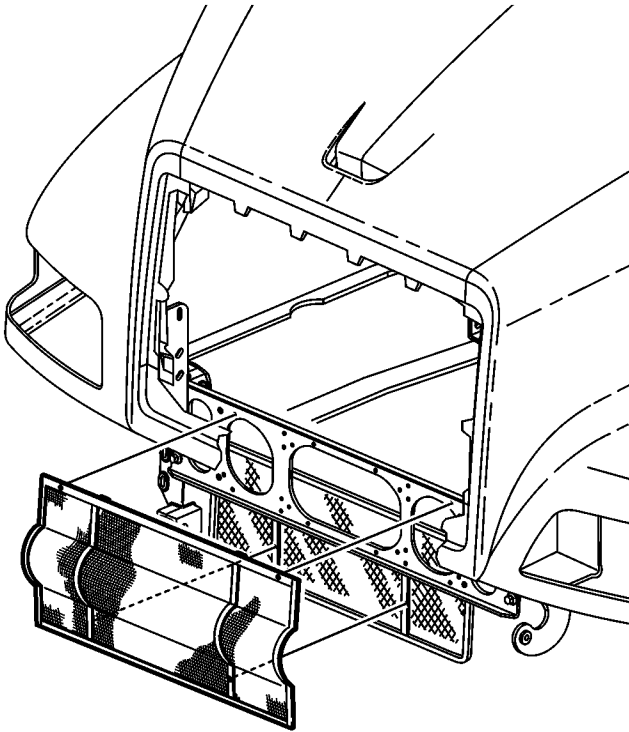
1
Disconnect the fog/driving light wire harness and cut nylon ties securing harness wires.

2
Remove the eight lock nuts that secures front bumper to mounts.

3
Shut hood and remove front bumper.

4
Remove the grill to allow access to the front crossmember.

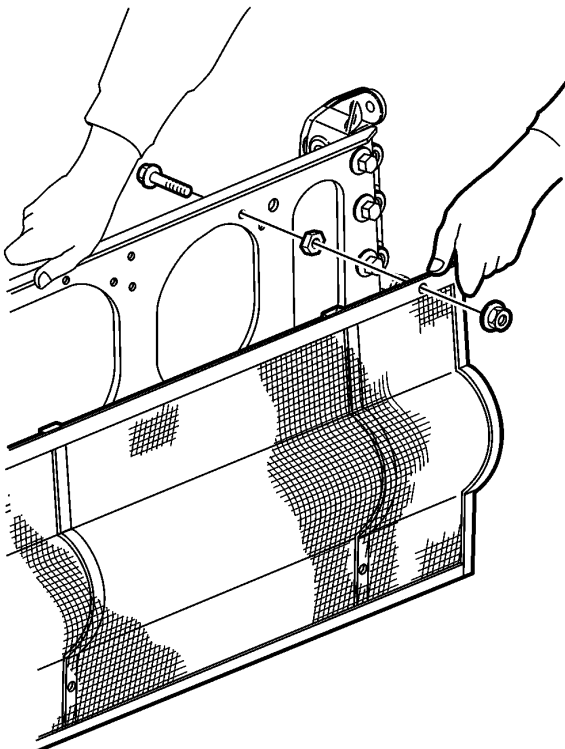
- 5**
Place two screws (M8x25) through the rock guard mounting holes.



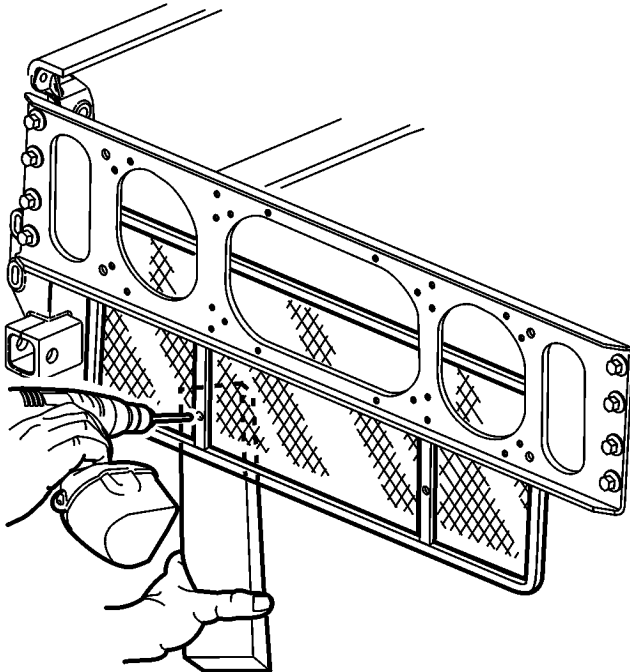
W2004339

- 6**
Then place two flange nuts (M8x8), as spacers, on the two screws (M8x25).

- 7**
Set rock guard in place and secure with locking nuts.



W2004340

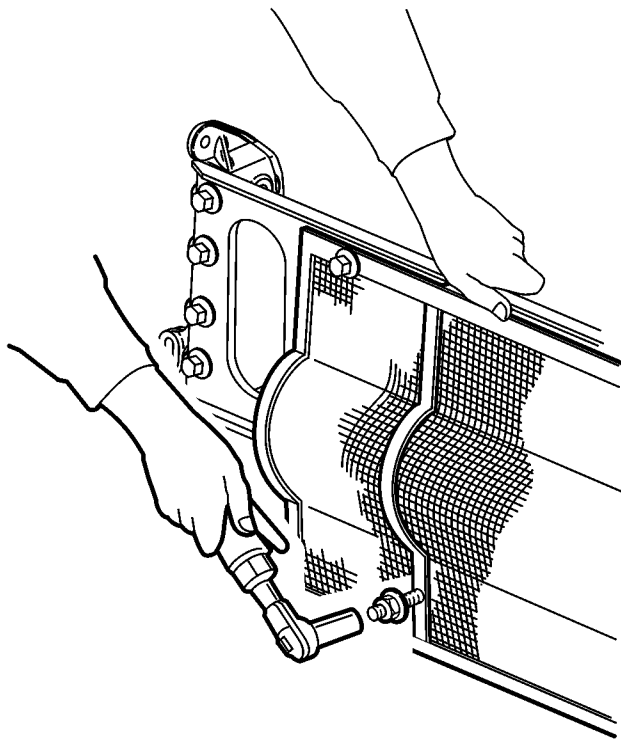


W2004338

8

Drill mounting holes in the bug screen mount to connect the bottom section of the rock guard.

Note: Place a piece of wood between the bracket and radiator to prevent damage by the drill bit.



W2004337

9

Install bolts in the bottom section of the rock guard and secure with lock nuts.

10
Install grill and secure.

11
Install front bumper and secure.

12
Adjust the front bumper.

13
Connect the wire harness to the fog/driving lights and secure with nylon ties.