

Date	Group	No.	Page
4.2001	<b>210</b>	<b>001</b>	1(2)

Belt Drive Routing  
Cummins ISM Engine  
VHD

## Belt Drive Routing

### VHD with Cummins ISM Engine

The following Service Bulletin contains Belt Drive Routing illustrations for the Cummins ISM Engine. Use this information as a reference for any service procedures involving Belt Drive Routing for the Cummins ISM Engine in Volvo VHD vehicles.

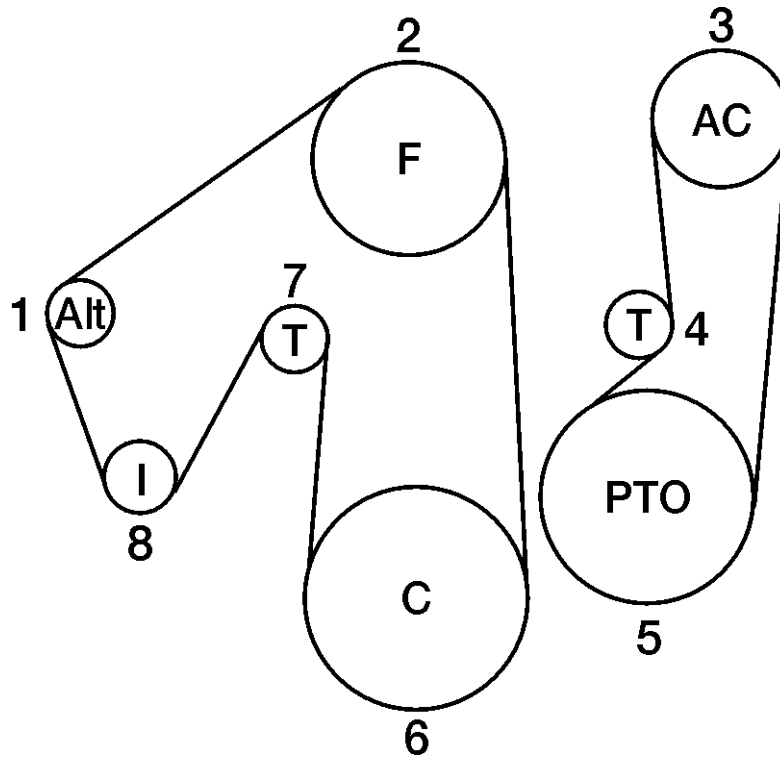
For further information concerning the Cummins ISM Engine refer to Vendor literature.

Contents include:

["Belt Drive Routing Paths" page 2](#)

## Belt Drive Routing Paths

Cummins 11 (ISM) Engine on VHD Vehicles



W2003606

- 1 Alternator
- 2 Fan
- 3 Freon Compressor
- 4 Tensioner
- 5 Power Take-Off
- 6 Crank
- 7 Tensioner
- 8 Idler