

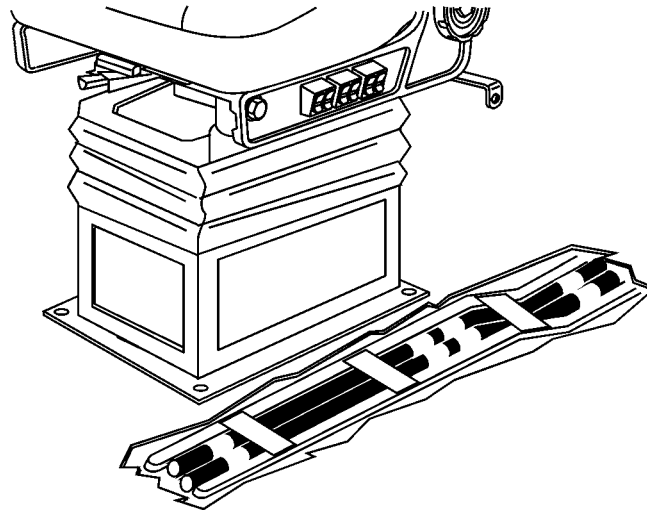
This Service Bulletin replaces Service Bulletin 191-01, "Retrofitting Fire Extinguisher", PV776-TSP103586/1 (9.97).

Date	Group	No.	Page
8.2000	191	001	1(2)

Retrofitting Fire Extinguisher
VN, VHD

Fire Extinguisher Bracket

(Effective from September 1997)



W1000085

The cab electrical wiring and air tubing to the seats are routed in channels in the floor on VN & VHD cabs. The floor mat covers the wiring and tubing without any extra protection.

Attempts to retrofit fire extinguisher brackets by drilling through the floor by the side of the driver seat have resulted in sheared wiring harnesses. No drilling through the floor area can be done without prior approval from Volvo Trucks North America, Inc.

For VN & VHD vehicles delivered without the optional fire extinguisher, to retrofit a fire extinguisher follow the instructions in this bulletin to avoid damages to the electrical system.

Note: This information is for National seats only, Standard and Comfort. On the Volvo Comfort seat, there are two permanent holes with weld-nuts on the base of the seat where the holder is installed.

See ["Fire Extinguisher, Installation" page 2.](#)

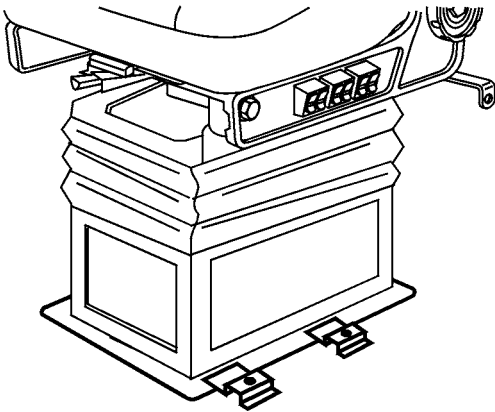
1914-18-02-01 Fire Extinguisher, Installation

See also "Fire Extinguisher Bracket" page 1.

1

Remove the driver seat. Remove the old seat plate that has no brackets. Install new seat plate that has brackets (P/N 8080286) and replace seat. See Service Manual, Upholstery, VN, VHD, for seat removal/installation procedures.

2



W1000086

Install the fire extinguisher holder (P/N 8077446) to the new seat plate with 2 screws (P/N 969842). Secure the fire extinguisher with the Velcro strap.