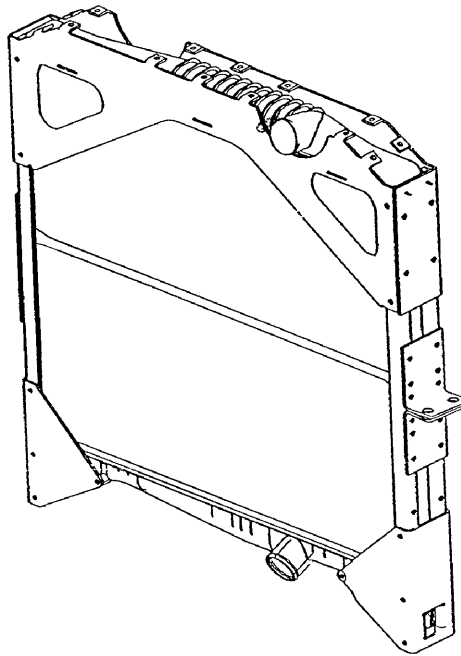


## Radiator, Repair



W2003376

**(Effective from November 1999)**

**Important:** Do not attempt to replace any of the components on the VN radiator, including tanks, seals, or core.

Specialized tooling is needed to perform quality repairs when crimping the tanks and seals to the core. Therefore, you should:

- have the radiator repaired by an authorized radiator service center; or
- replace the complete unit.