

Date	Group	No.	Page
11.97	088	04	1(2)

New Special Tool
VN

J-42764, Hood/Bumper Alignment Kit

(Effective from November 1997)

The alignment kit is used to adjust the hood and the bumper to the hood.

The kit contains the following:

J-42884 Hood Alignment Tool 2 (required)

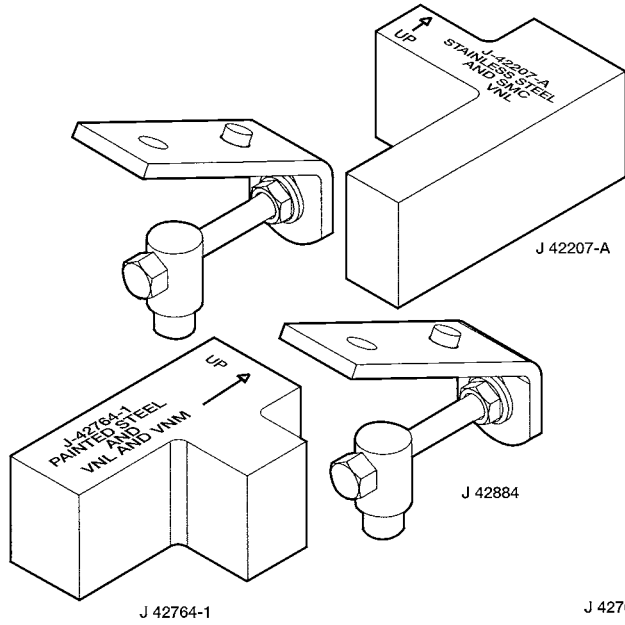
J-42764-1 Alignment Block for VNL/VNM trucks with painted bumpers.

J-42207-A Alignment Block for VNL trucks with SMC or bright bumpers.

[See "J-42764, Hood/Bumper Alignment Kit" page 2.](#)

Tools

J-42764, Hood/Bumper Alignment Kit



FOR ADJUSTMENT OF HOOD /BUMPER

Order Number	J-42764
Description:	Hood/Bumper Alignment Kit
Qty. per Operation:	1
Used Together With:	N/A
Variant/ Component:	All
Section/Group:	8
Tool Class:	1
Essential Tool:	YES

J 42764
W0001507